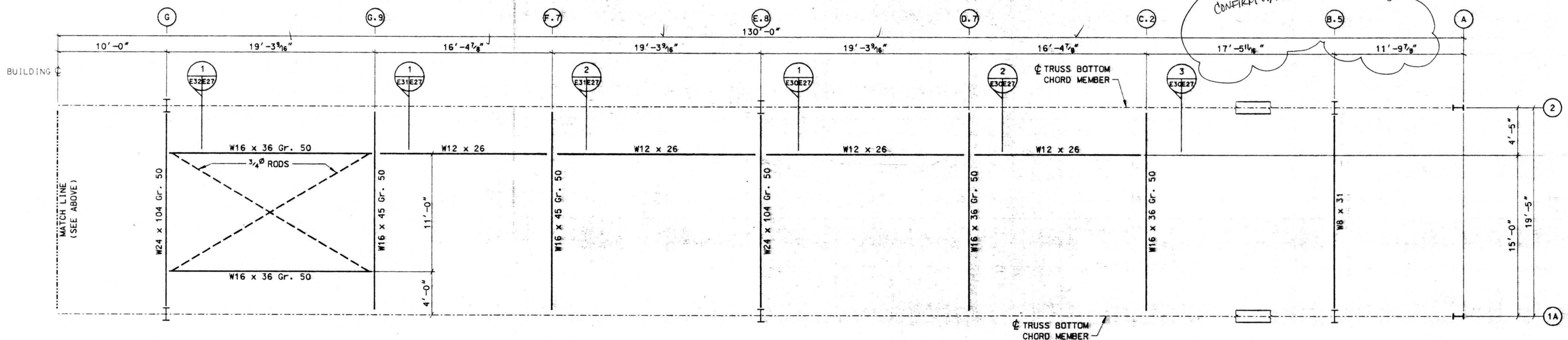
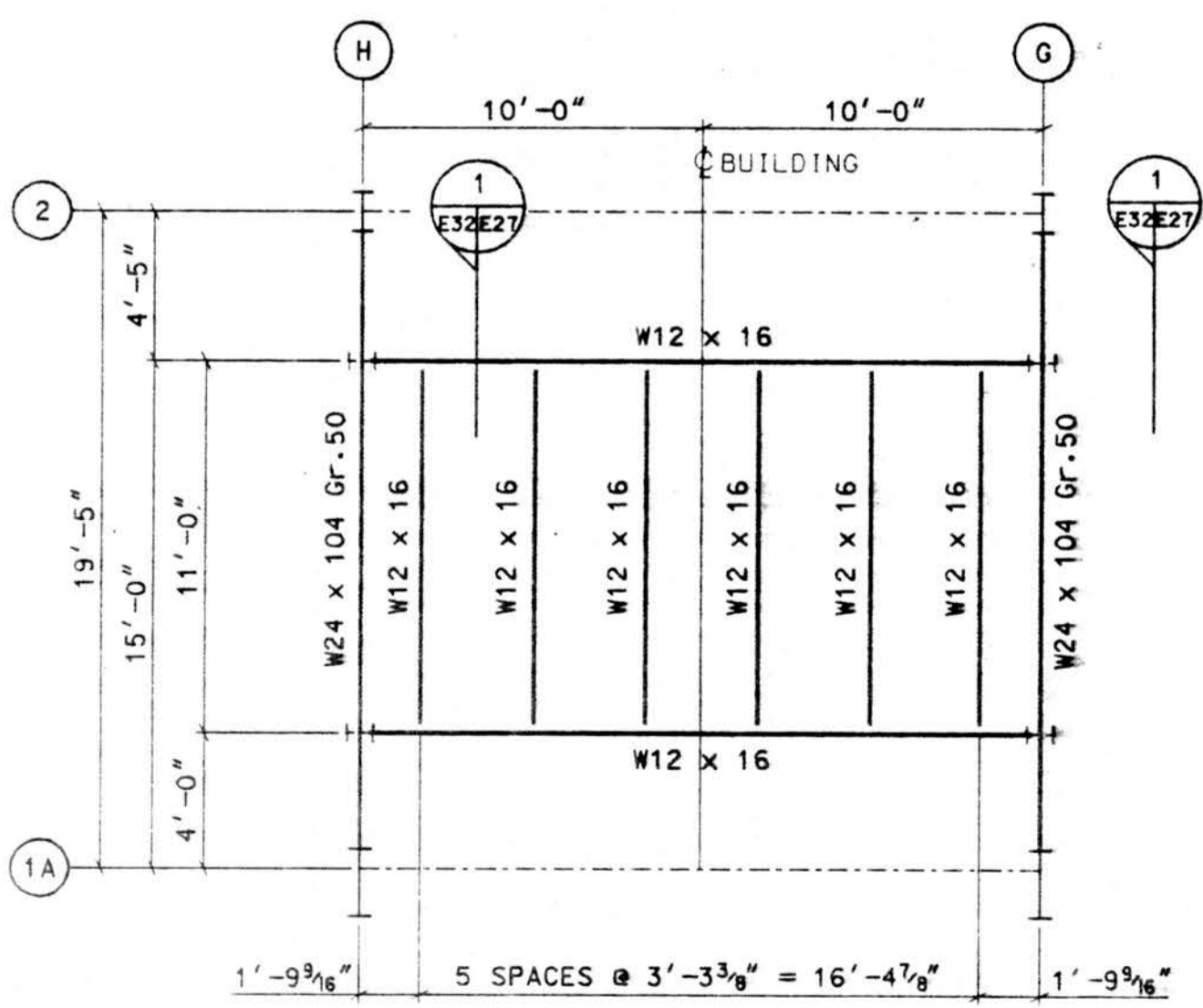


PARTIAL PLAN @ PLANE OF BOTTOM CHORD



PARTIAL PLAN @ PLANE OF BOTTOM CHORD



PLAN @ BOTTOM OF STEEL ELEVATION 77'-10"

Per Note 4, Sheet 07.10,
MEGA DOOR TO VERIFY LOCATIONS
& ELEVATION OF HANGAR DOOR
SUPPORT FRAMING. & PROVIDE
PROOF OF THEIR VERIFICATION.
A.B.C. TO COORDINATE W/MEGADOOR

SUBMITTAL REVIEW	
APPROVED	
OTHER:	
APPROVED AS NOTED	
RETURN FOR RESUBMITTAL	
DISAPPROVED - SEE REMARKS	

Review is only for conformance with the design concept and with the information given in the contract documents. The contractor remains responsible for compliance with all requirements of the contract documents.

FRANKFURT • SHORR • BRUNN • ASSOCIATES, P.C.
B. VAN Date APR 26 1994
SUBMITTAL NO. 9116-B120A-02-02



MAR 24 1994

AMERICAN BUILDINGS COMPANY
Heavy Fabrication Division
Bellaire, Texas

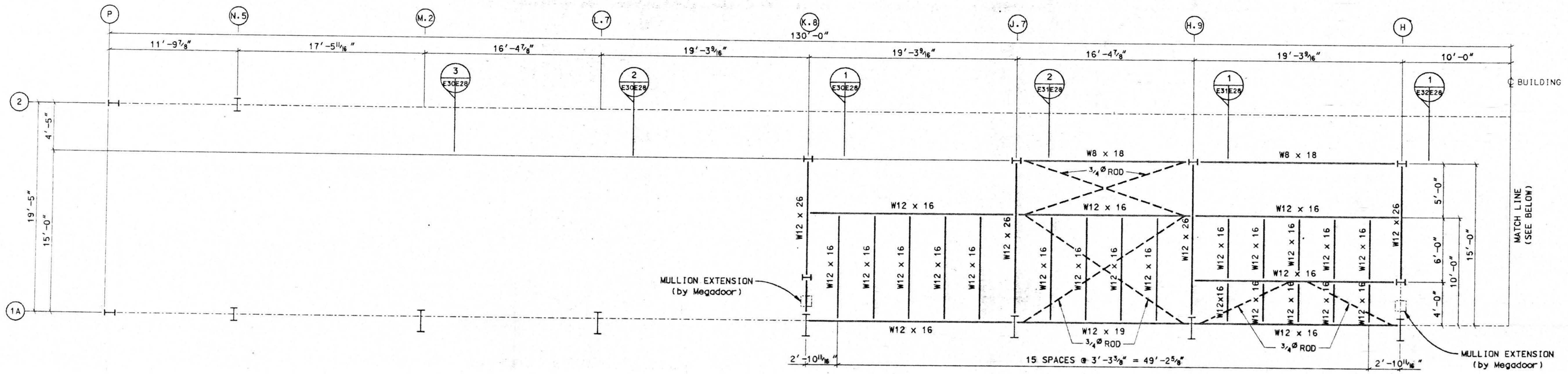
NO.	REVISION	MADE	CHK'D	DATE
A	FOR APPROVAL	LMC		3/94

© Copyright 1994
American Buildings Company
All Rights Reserved

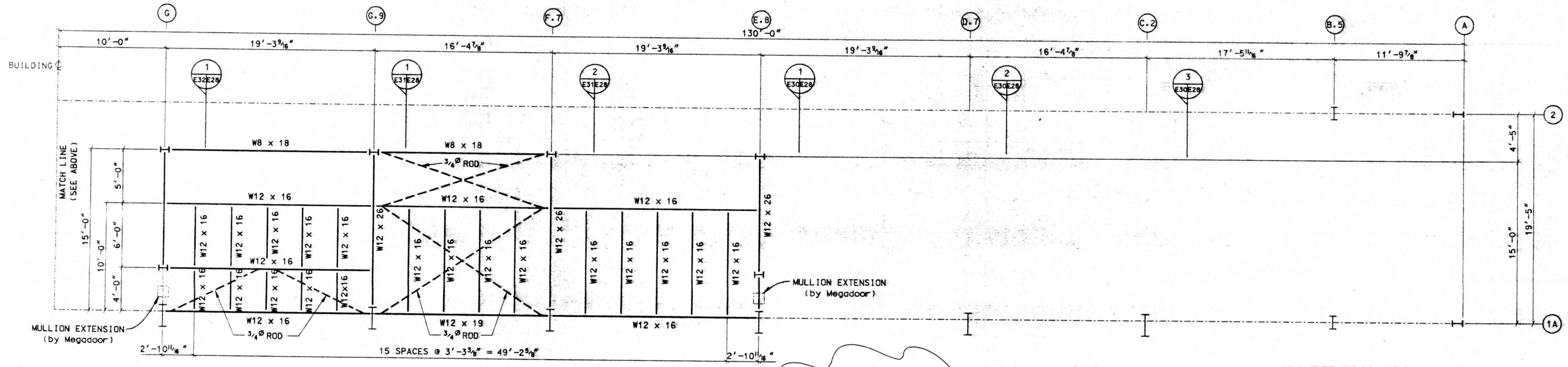
Builder: Seattle Construction Services, Inc.
Owner: Alaska Industrial Development and Export Authority

Building: Line Maintenance Hangar
Location: Anchorage, Alaska

DRAWN BY LMC JOB NO. 51-9290
CHECKED BY DATE 2/94 DWG. E27



PARTIAL PLAN @ BOTTOM OF STEEL ELEVATION 58'-0"



PARTIAL PLAN @ BOTTOM OF STEEL ELEVATION 58'-0"

PER NOTE 4, SHEET 07.10, MEGA DOOR TO VERIFY LOCATION & ELEVATION OF HANGAR DOOR SUPPORT FRAMING & PROVIDE PROOF OF THEIR VERIFICATION. ABC TO COORDINATE WITH MEGA DOOR.



SUBMITTAL REVIEW	
<input type="checkbox"/>	APPROVED
<input checked="" type="checkbox"/>	OTHER APPROVED AS NOTED
<input type="checkbox"/>	RETURN FOR RESUBMITTAL
<input type="checkbox"/>	DISAPPROVED - SEE REMARKS

Review is only for conformance with the design concept and with the information given in the contract documents. The contractor remains responsible for compliance with all requirements of the contract documents.

FRANKLUFT • SHORT • BRUZA ASSOCIATES, P.C.
 LJV Date APR 26 1994
 SUBMITTAL NO. 5-126-13120A-07-01

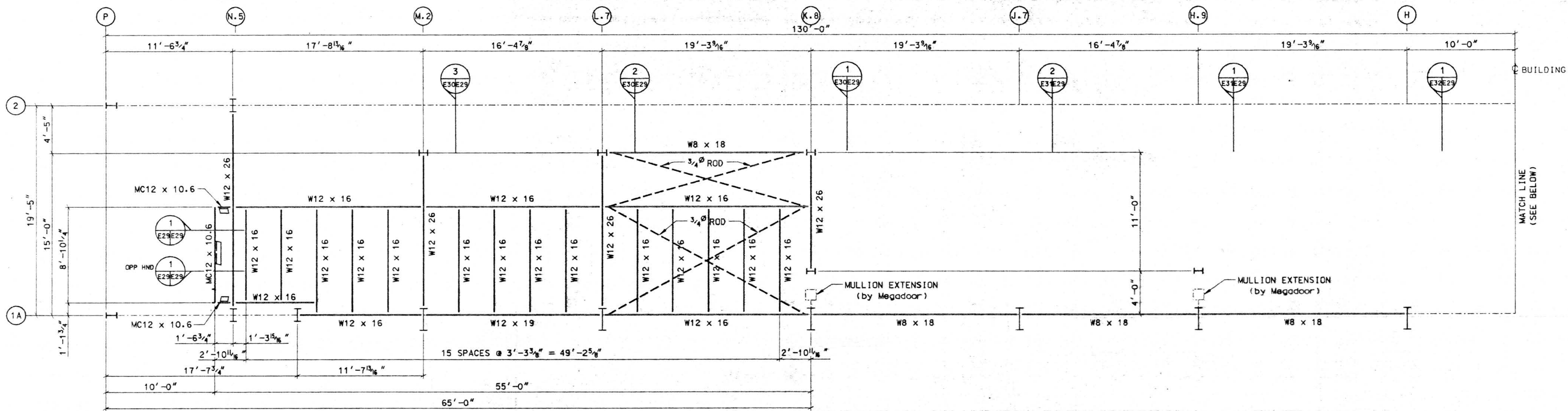
AMERICAN BUILDINGS COMPANY
 Heavy Fabrication Division
 Bellaire, Texas

NO.	REVISION	MADE	CHK'D	DATE
A	FOR APPROVAL	LMC		3/94

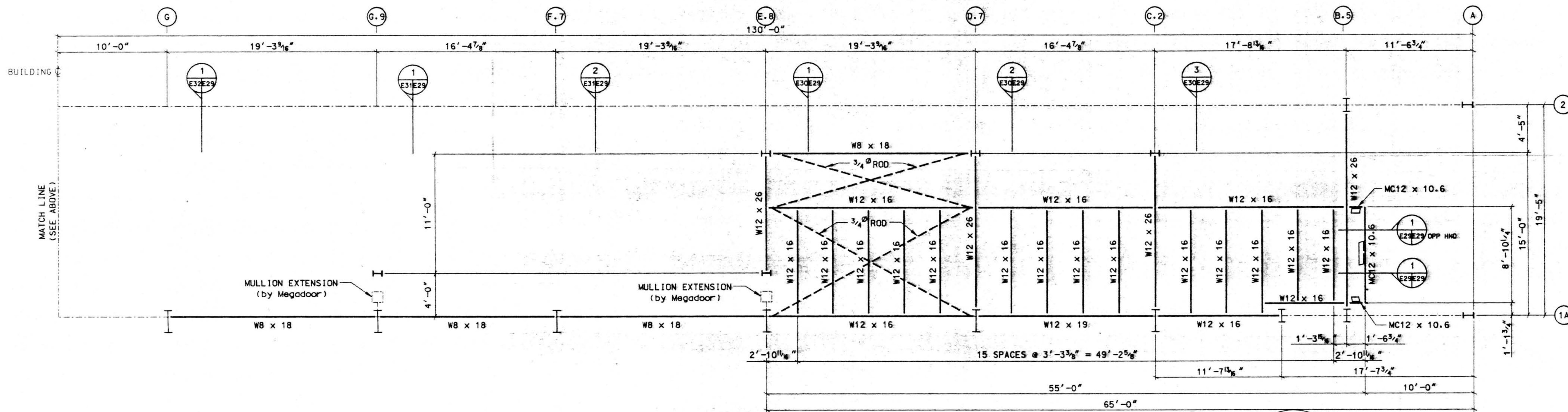
© Copyright 1994 American Buildings Company All Rights Reserved

Builder: Seattle Construction Services, Inc.
 Owner: Alaska Industrial Development and Export Authority
 Building: Line Maintenance Hangar
 Location: Anchorage, Alaska

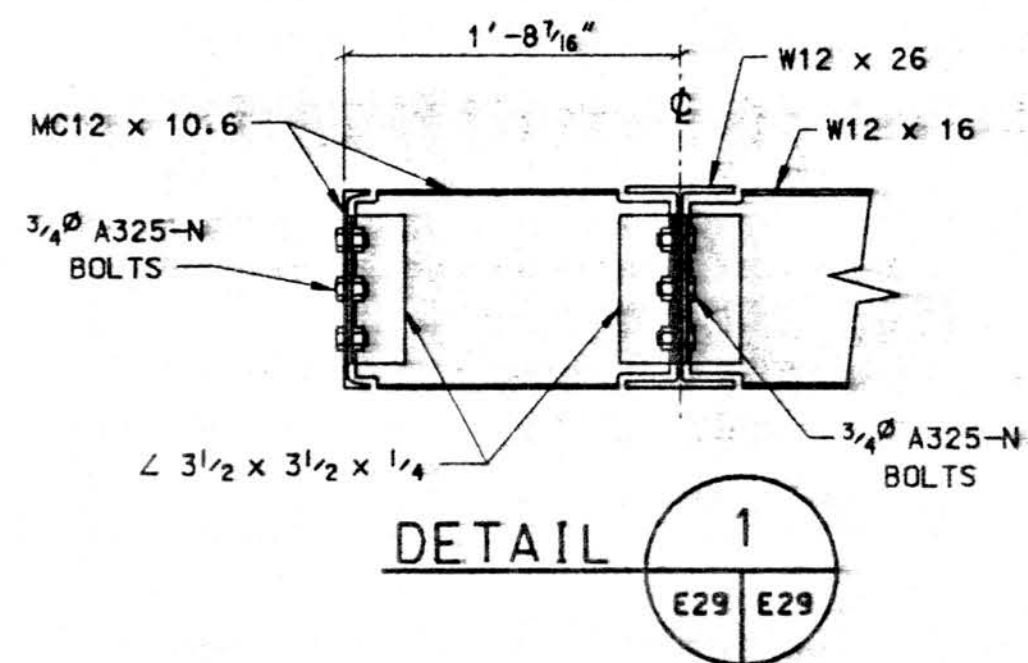
DRAWN BY: LMC JOB NO. 51-9290
 CHECKED BY: DATE 2/94 DWG. E28



PLAN @ BOTTOM OF STEEL ELEVATION 50'-0"



PLAN @ BOTTOM OF STEEL ELEVATION 50'-0"



DETAIL 1
E29 E29

PER NOTE 4, SHEET 07.10, MEGA DOOR TO VERIFY LOCATION AND ELEVATION AT HANGAR DOOR SUPPORT FRAMING AND PROVIDE PROOF OF THEIR VERIFICATION.
ABC-TO COORDINATE WITH MEGADOOR

SUBMITTAL REVIEW	
APPROVED	
OTHER:	
APPROVED AS NOTED	
RETURN FOR RESUBMITTAL	
DISAPPROVED - CSE REMARKS	

Review is only for conformance with the design concept and with the information given in the contract documents. The contractor remains responsible for compliance with all requirements of the contract documents.

FRANKFURT • SHORT • BRUZA ASSOCIATES INC.
By: [Signature] Date: APR 20 1994
SUBMITTAL NOS. 1126-1320A-02



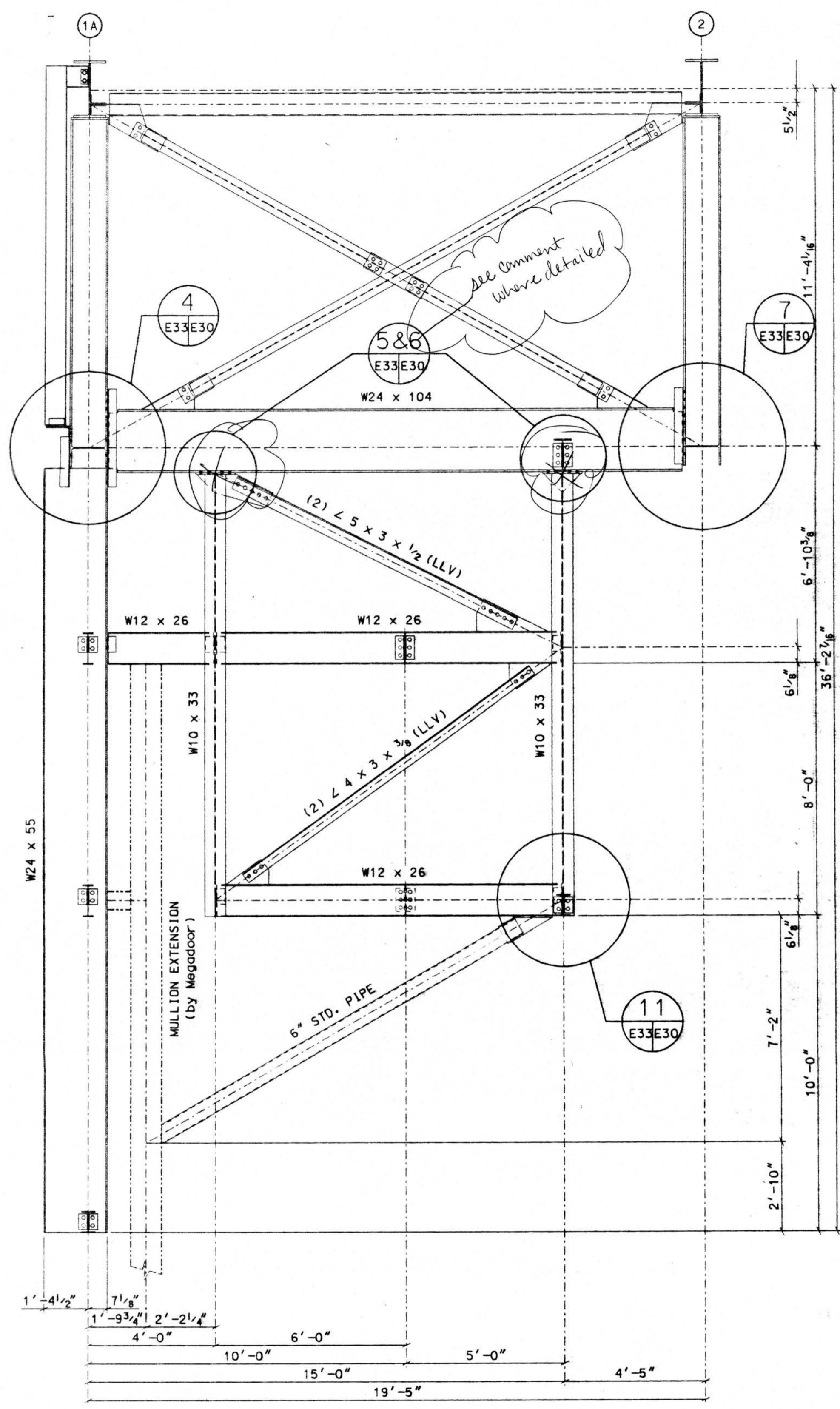
AMERICAN BUILDINGS COMPANY
Heavy Fabrication Division
Bellaire, Texas

NO.	REVISION	MADE	CHK'D	DATE
A	FOR APPROVAL	LMC		3/94
		LIL		85358

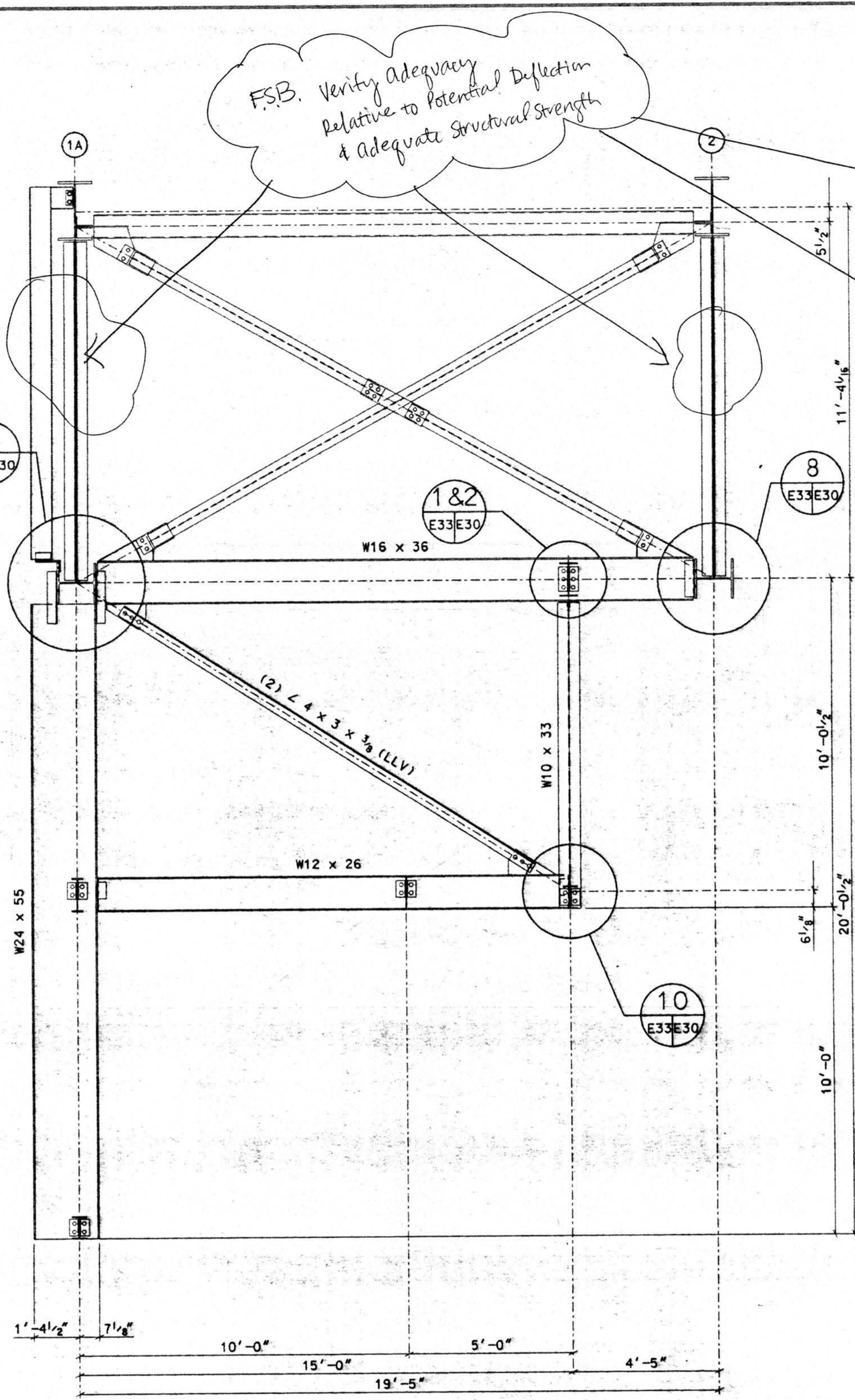
© Copyright 1994
American Buildings Company
All Rights Reserved

Builder: Seattle Construction Services, Inc.
Owner: Alaska Industrial Development and Export Authority
Building: Line Maintenance Hangar
Location: Anchorage, Alaska

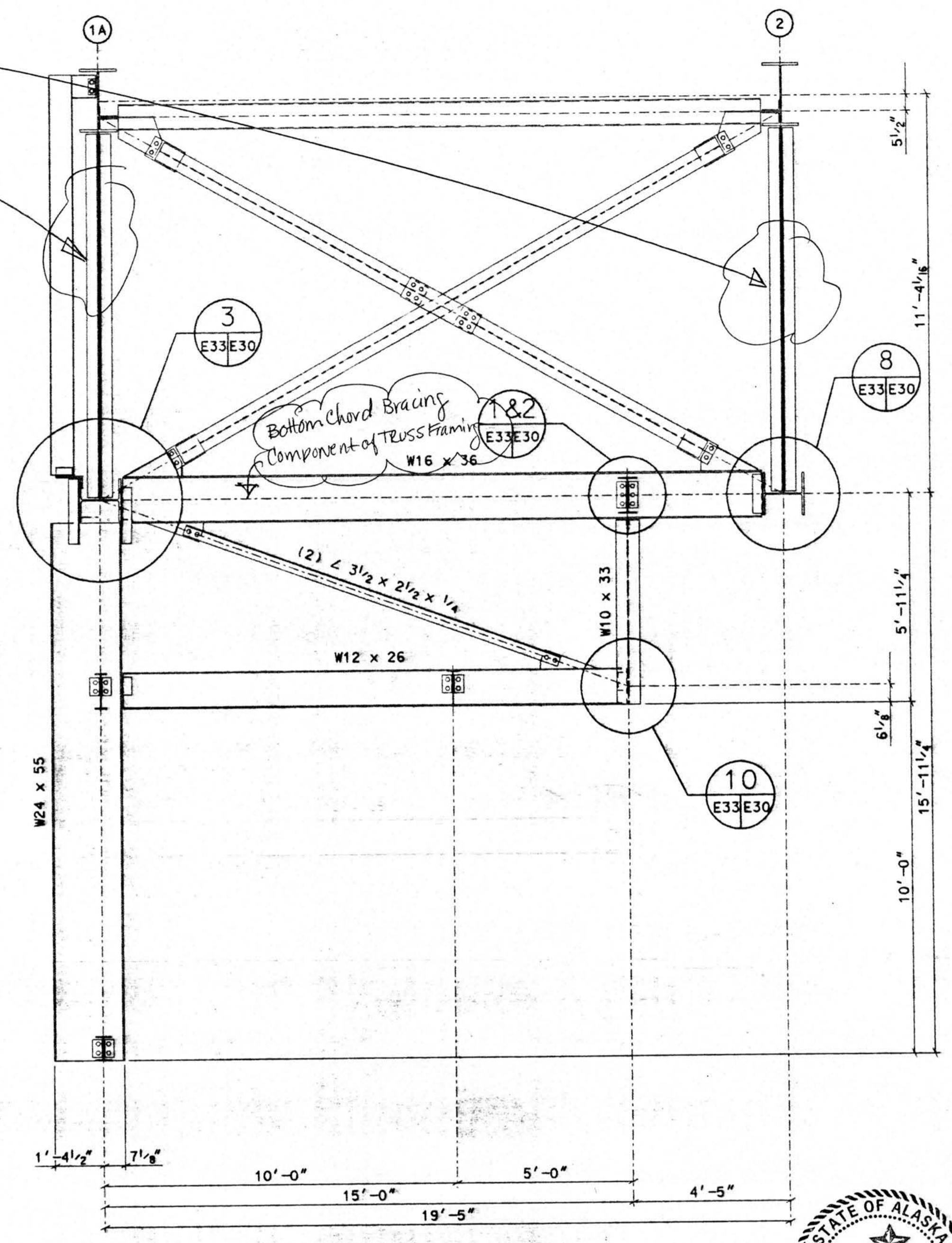
DRAWN BY: LMC JOB NO.: 51-9290
CHECKED BY: DATE 2/94 DWG. E29



SECTION 1
TYP E30



SECTION 2
TYP E30



SECTION 3
TYP E30



SUBMITTAL REVIEW	
APPROVED	
OTHER:	
<input checked="" type="checkbox"/> APPROVED AS NOTED	
<input type="checkbox"/> RETURN FOR RESUBMITTAL	
<input type="checkbox"/> DISAPPROVED - SEE REMARKS	

Review is only for conformance with the design concept and with the information given in the contract documents. The contractor remains responsible for compliance with all requirements of the contract documents.
 FRANKFURT • SHORT • BRUZA ASSOCIATES, P.C.
 By: *[Signature]* Date: APR 26 1994
 SUBMITTAL VS 9126-13120A-02-02

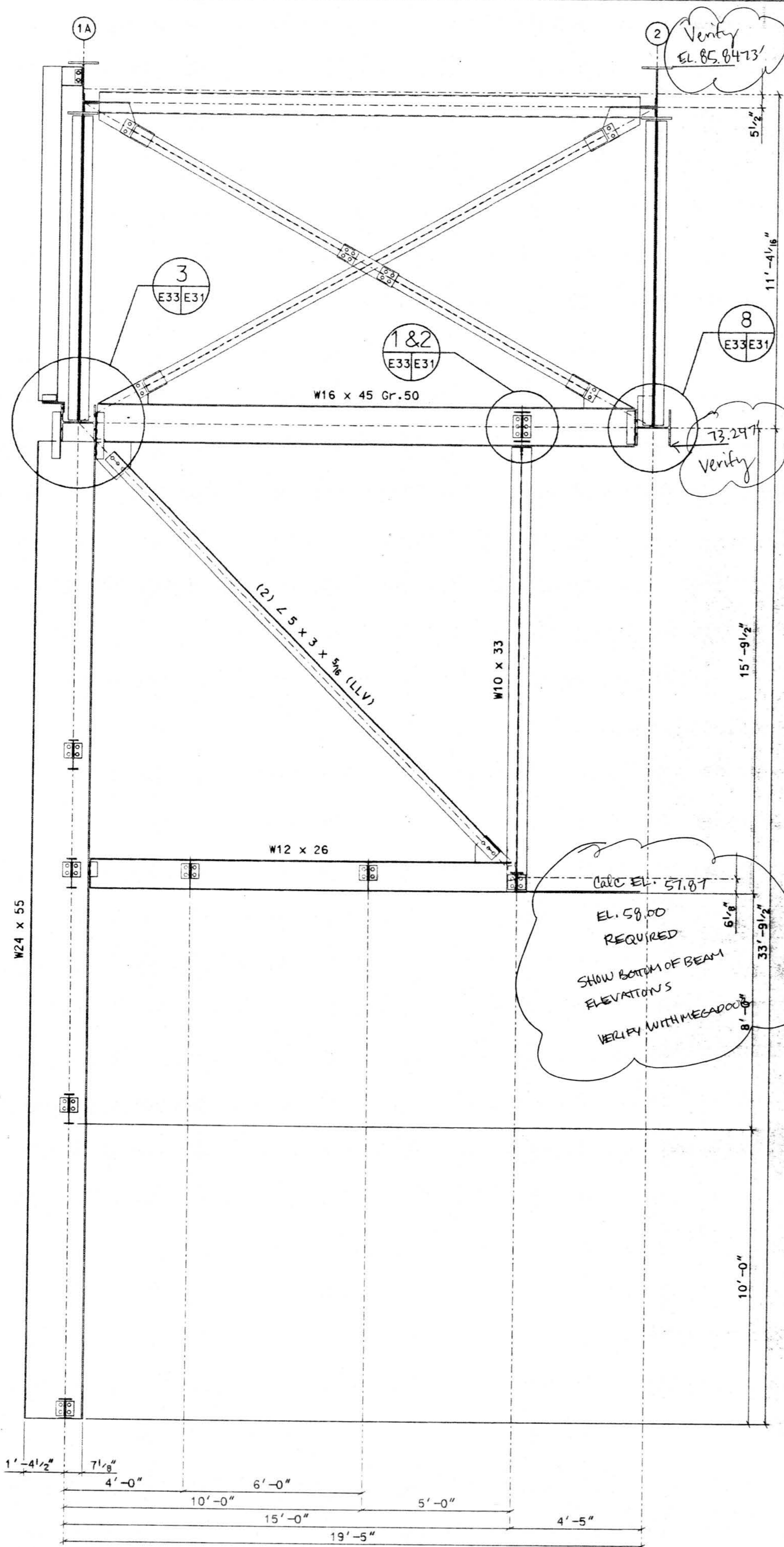
NO.	REVISION	MADE	CHK'D	DATE
A	FOR APPROVAL	LMC		3/94

AMERICAN BUILDINGS COMPANY
 Heavy Fabrication Division
 Bellaire, Texas

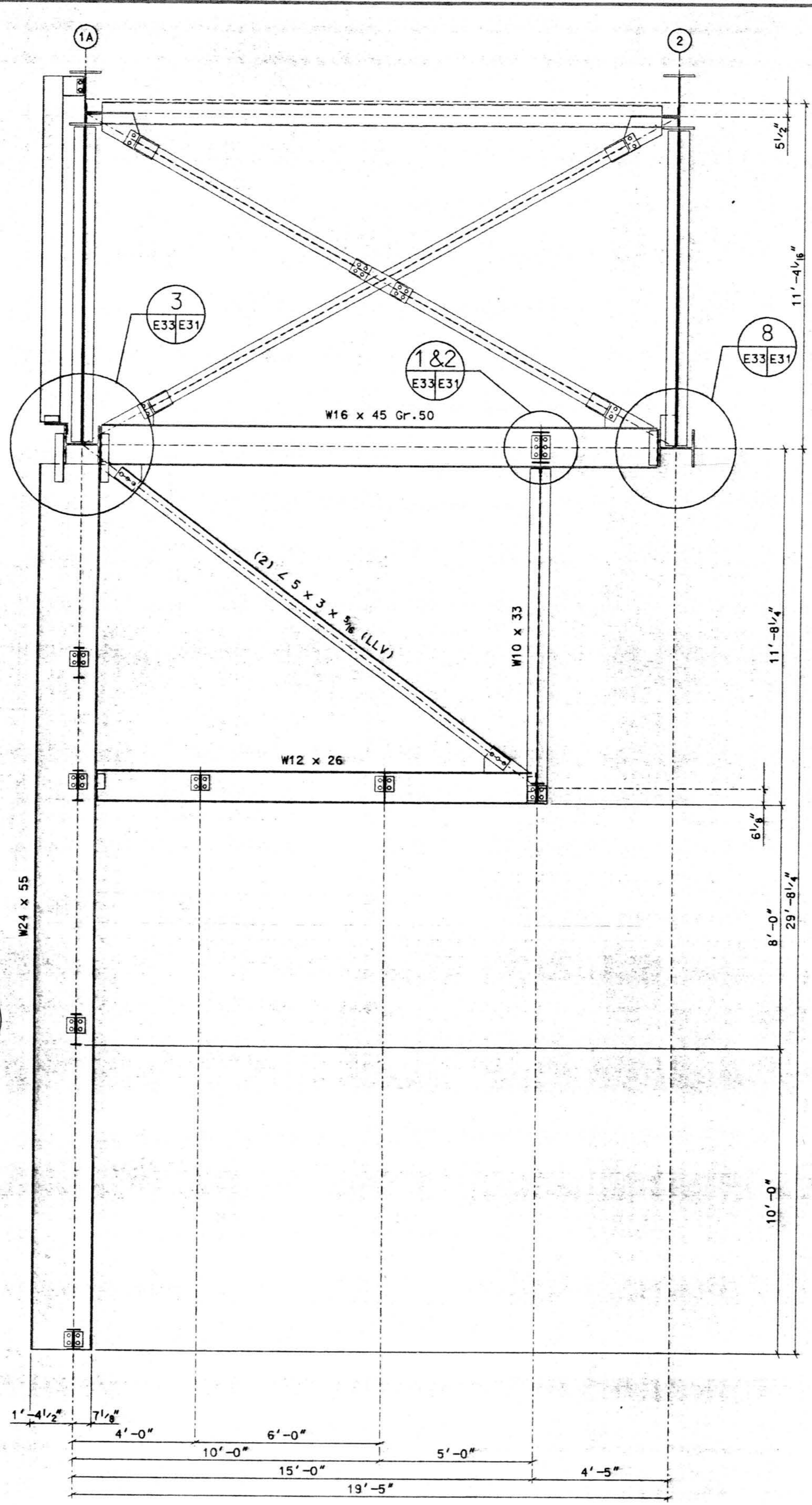
© Copyright 1994 American Buildings Company All Rights Reserved

Builder: Seattle Construction Services, Inc.
 Owner: Alaska Industrial Development and Export Authority
 Building: Line Maintenance Hangar
 Location: Anchorage, Alaska

DRAWN BY	LMC	JOB NO.	51-9290
CHECKED BY		DATE	2/94
		DWG.	E30



SECTION 1
TYP E31



SECTION 2
TYP E31

SUBMITTAL REVIEW

APPROVED	
OTHER:	
APPROVED AS NOTED	
RETURN FOR RESUBMITTAL	
DISAPPROVED - SEE REMARKS	

Review is only for conformance with the design concept and with the information given in the contract documents. The contractor remains responsible for compliance with all requirements of the contract documents.

By: *[Signature]* Date: **APR 28 1994**

SUBMITTAL NO. 9126-13120A-02-01



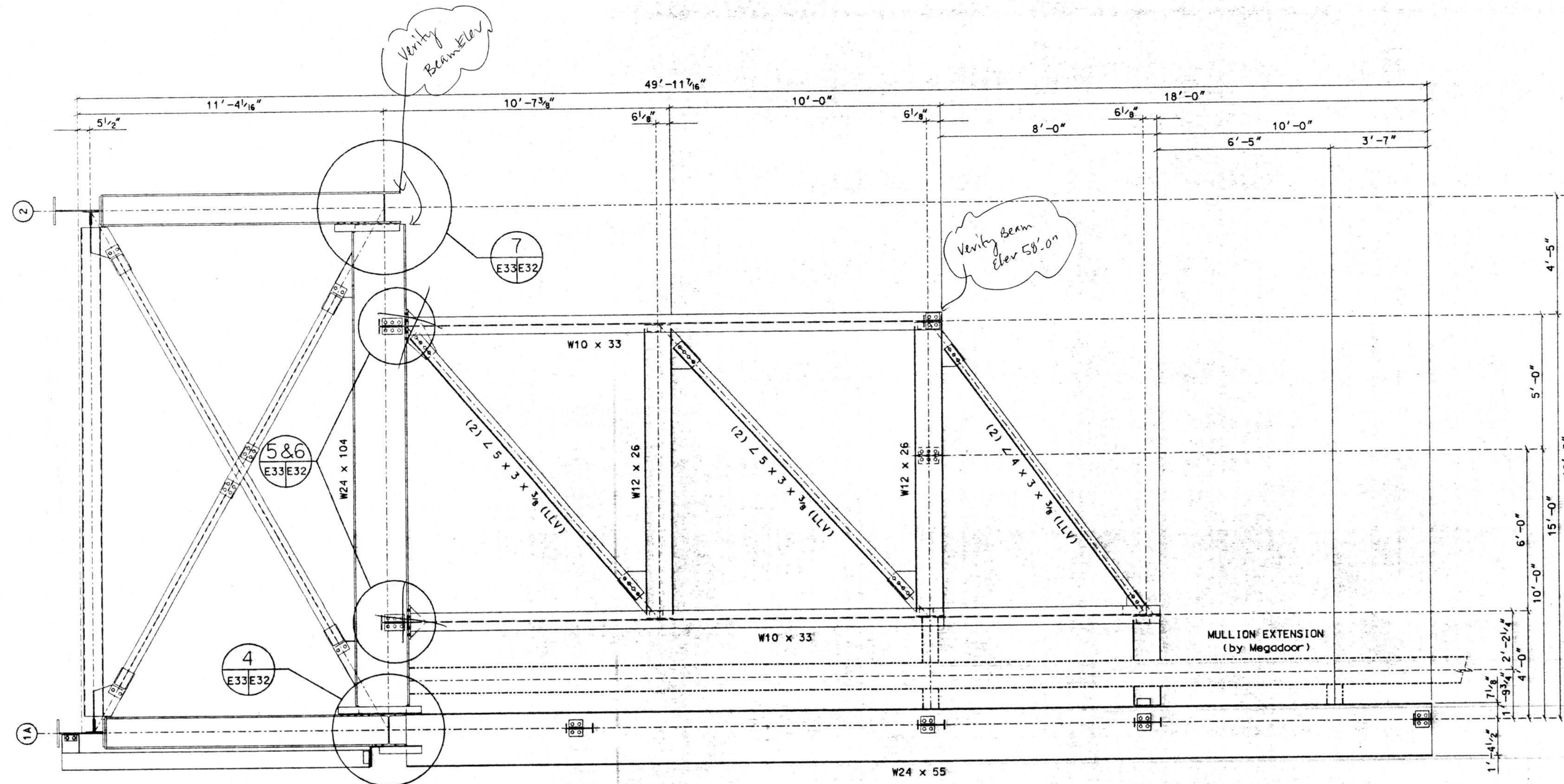
MAR 24 1994

AMERICAN BUILDINGS COMPANY
Heavy Fabrication Division
Bellaire, Texas

NO.	REVISION	MADE	CHK'D	DATE
A	FOR APPROVAL	LMC		3/94

Builder: Seattle Construction Services, Inc.
Owner: Alaska Industrial Development and Export Authority
Building: Line Maintenance Hangar
Location: Anchorage, Alaska

DRAWN BY	LMC	JOB NO.	51-9290
CHECKED BY		DATE	2/94 DWG. E31



SECTION 1
TYP E32

SUBMITTAL REVIEW		
<input type="checkbox"/>	APPROVED	
<input type="checkbox"/>	OTHER:	
<input checked="" type="checkbox"/>	APPROVED AS NOTED	
<input checked="" type="checkbox"/>	RETURN FOR RESUBMITTAL	
<input type="checkbox"/>	DISAPPROVED - SEE REMARKS	

Review is only for conformance with the design concept and with the information given in the contract documents. The contractor remains responsible for compliance with all requirements of the contract documents.

FRANKFURT + SHORT + BRUZA ASSOCIATES, P.C.
By: *[Signature]* Date: APR 28 1994
SUBMITTAL # 95-9126-15120A-01.02

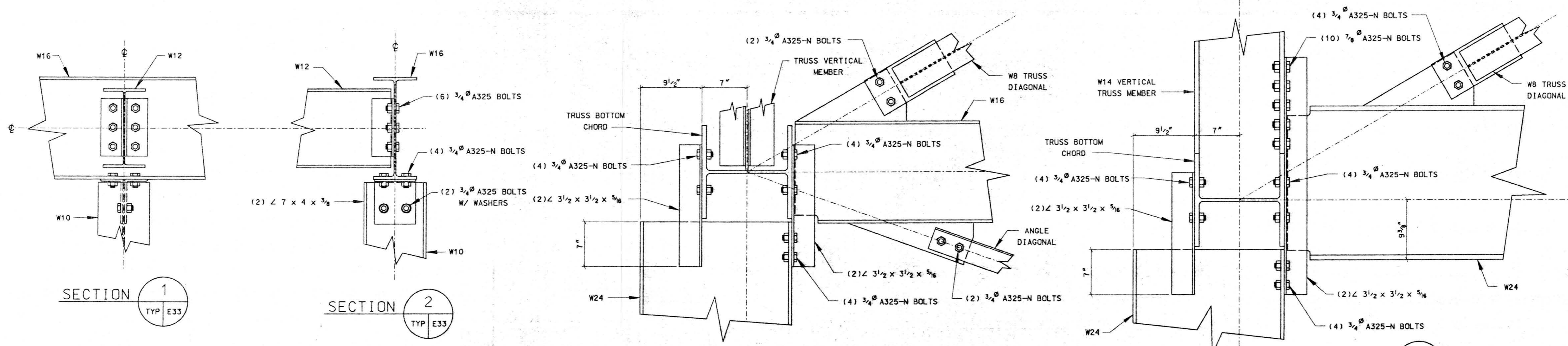


NO.	REVISION	MADE	CHK'D	DATE
A	FOR APPROVAL	LMC		3/94

© Copyright 1994
American Buildings Company
All Rights Reserved

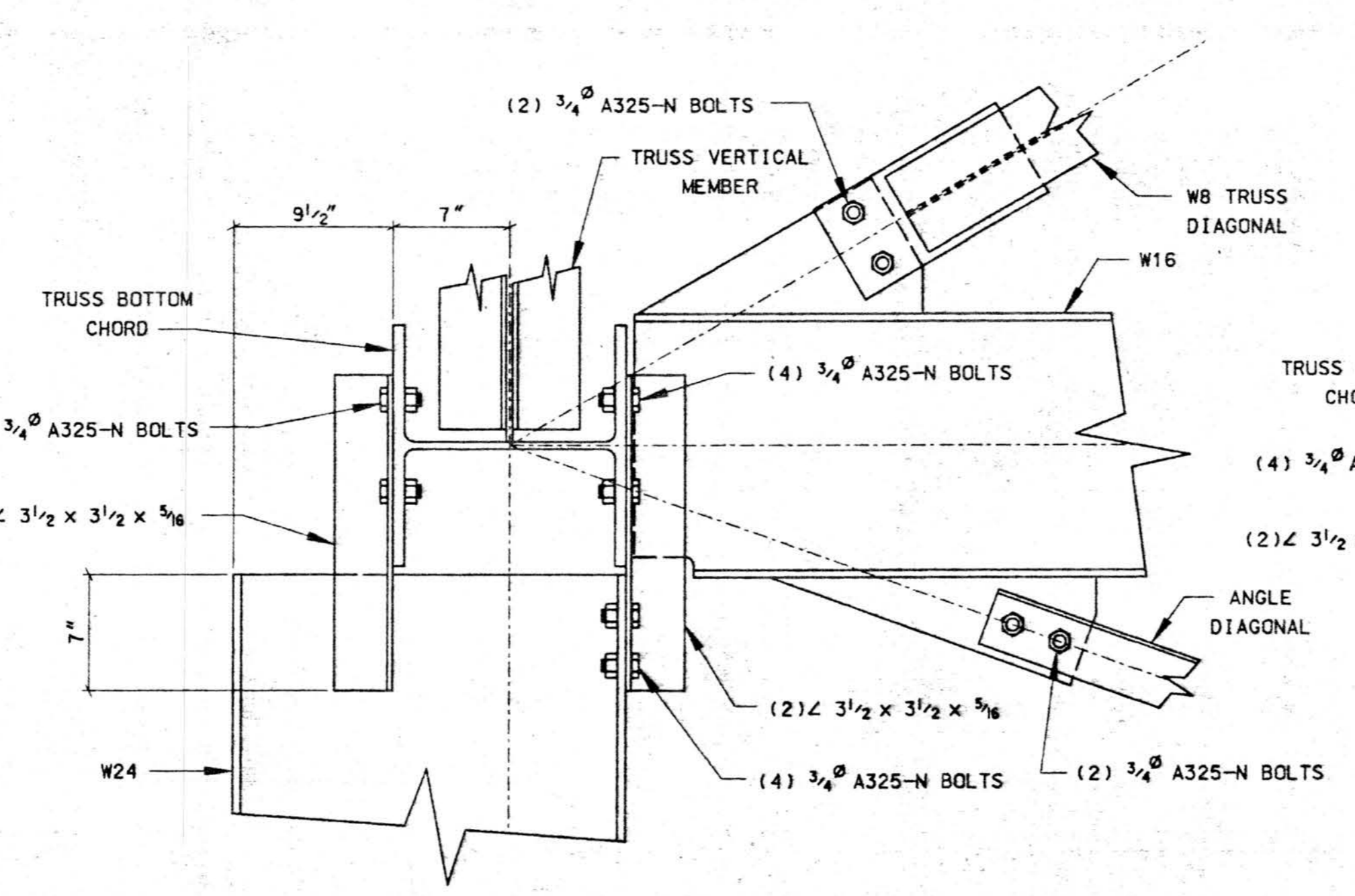
Builder: Seattle Construction Services, Inc.
Owner: Alaska Industrial Development and Export Authority
Building: Line Maintenance Hangar
Location: Anchorage, Alaska

DRAWN BY LMC JOB NO. 51-9290
CHECKED BY DATE 2/94 DWG. E32

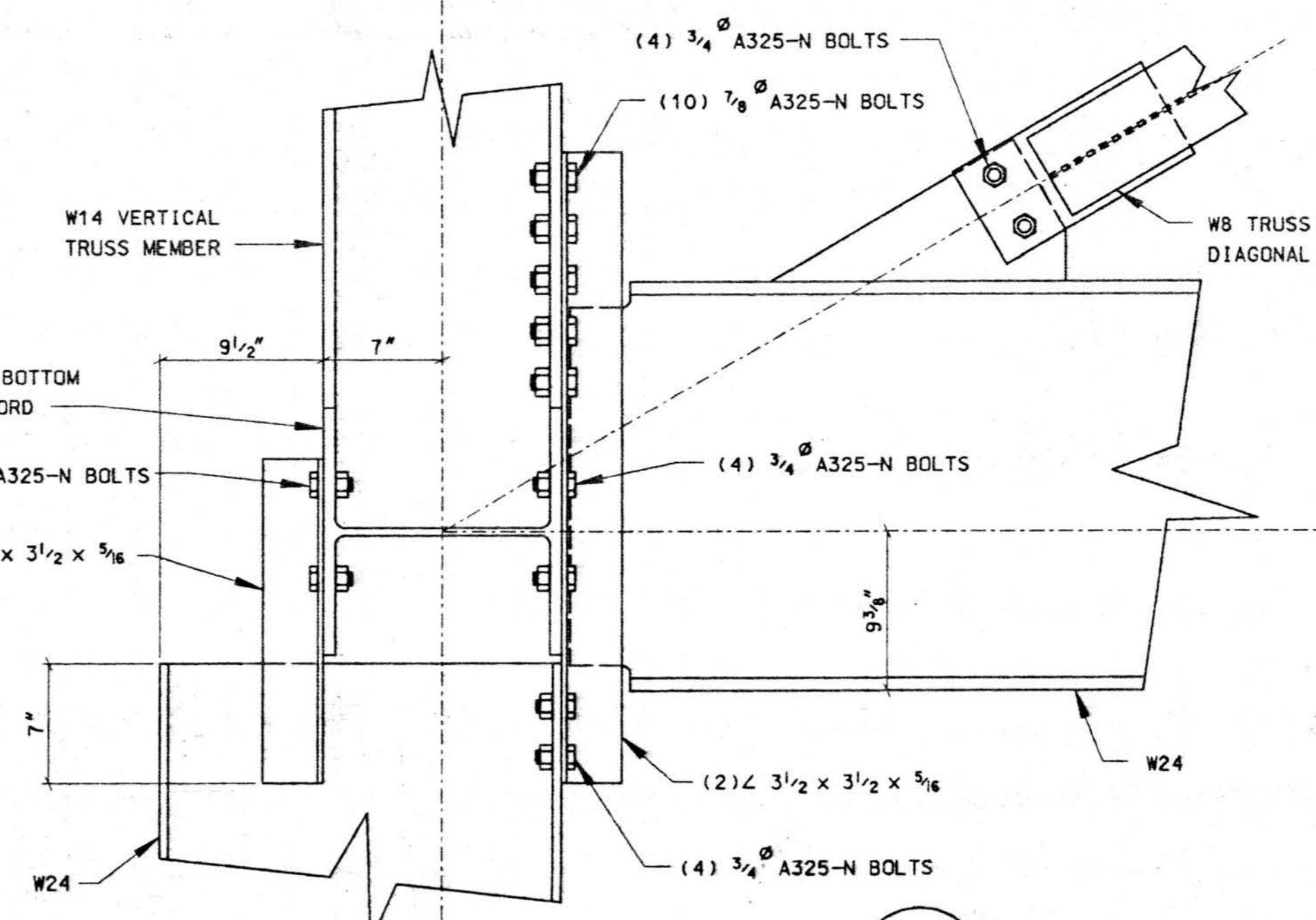


SECTION 1
TYP E33

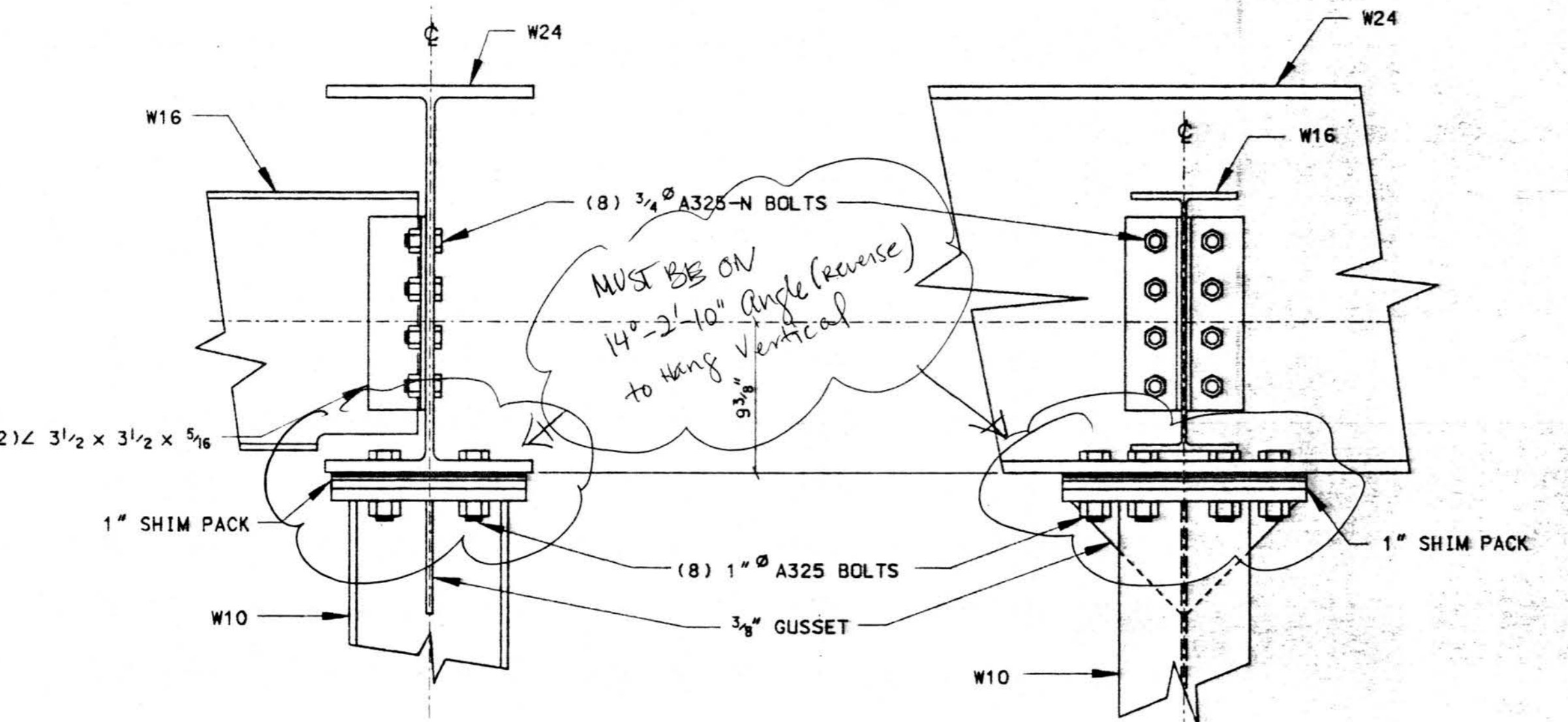
SECTION 2
TYP E33



SECTION 3
TYP E33

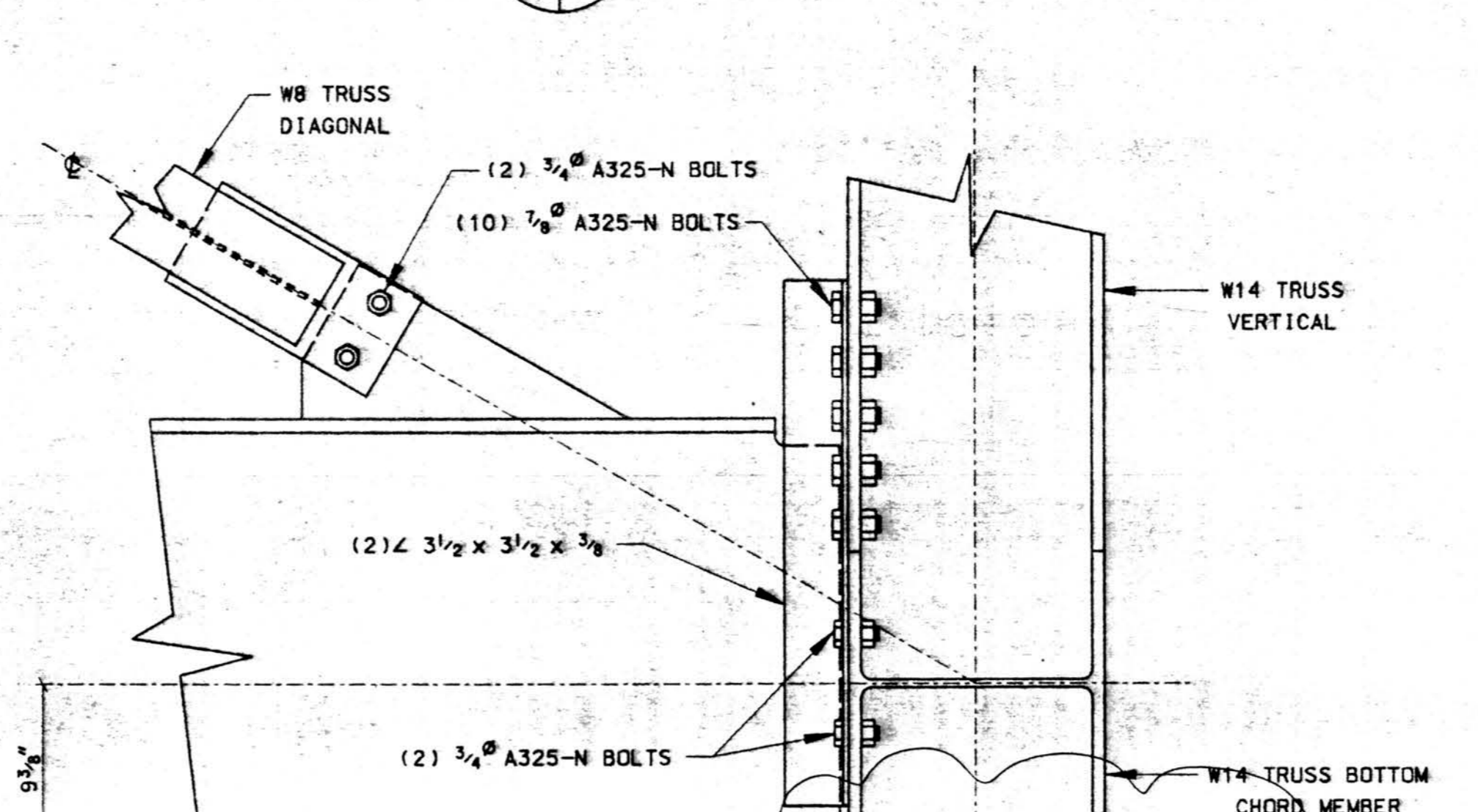


SECTION 4
TYP E33

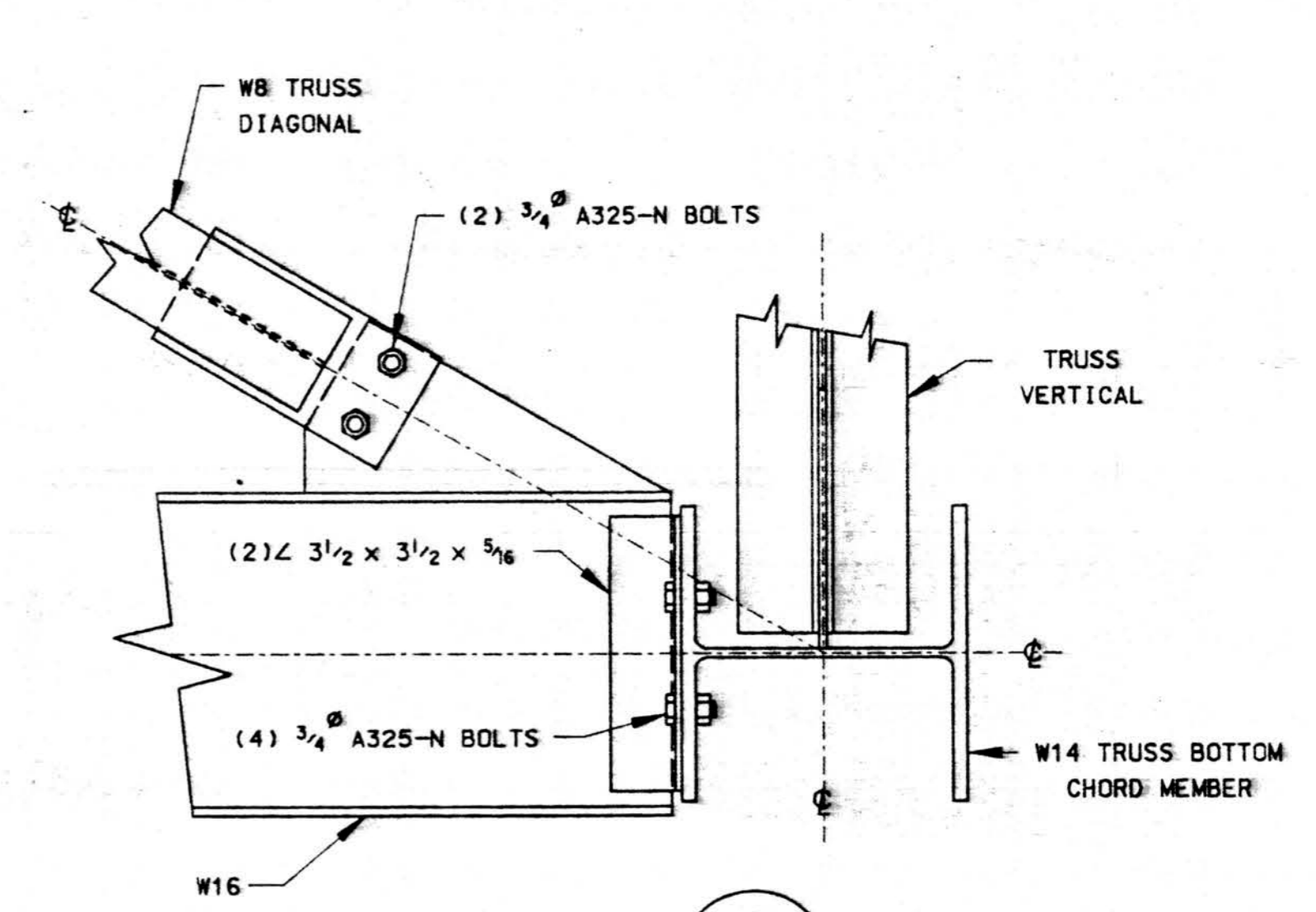


SECTION 5
TYP E33

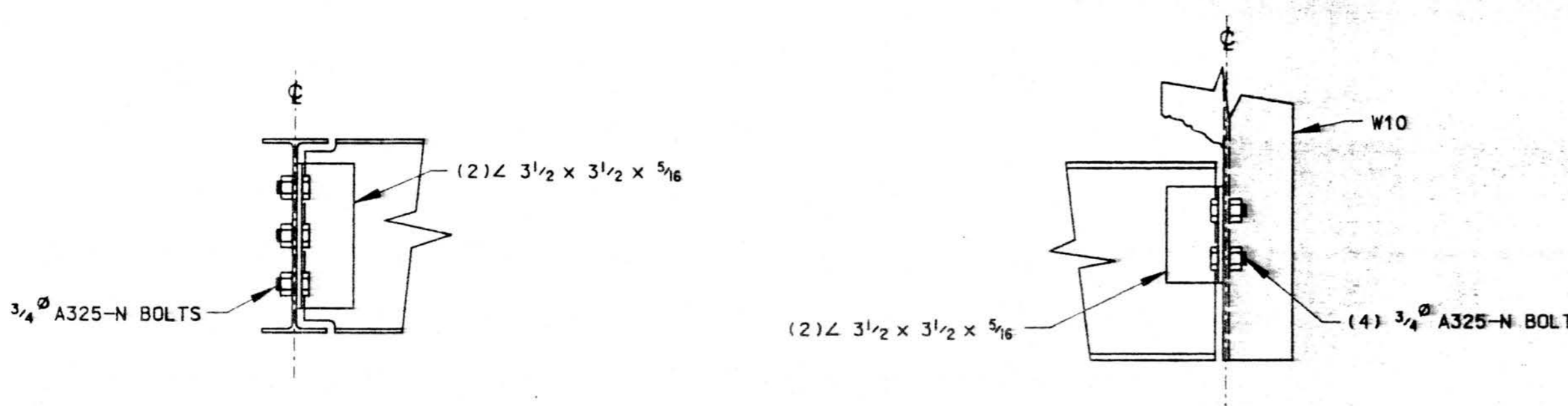
SECTION 6
TYP E33



SECTION 7
TYP E33

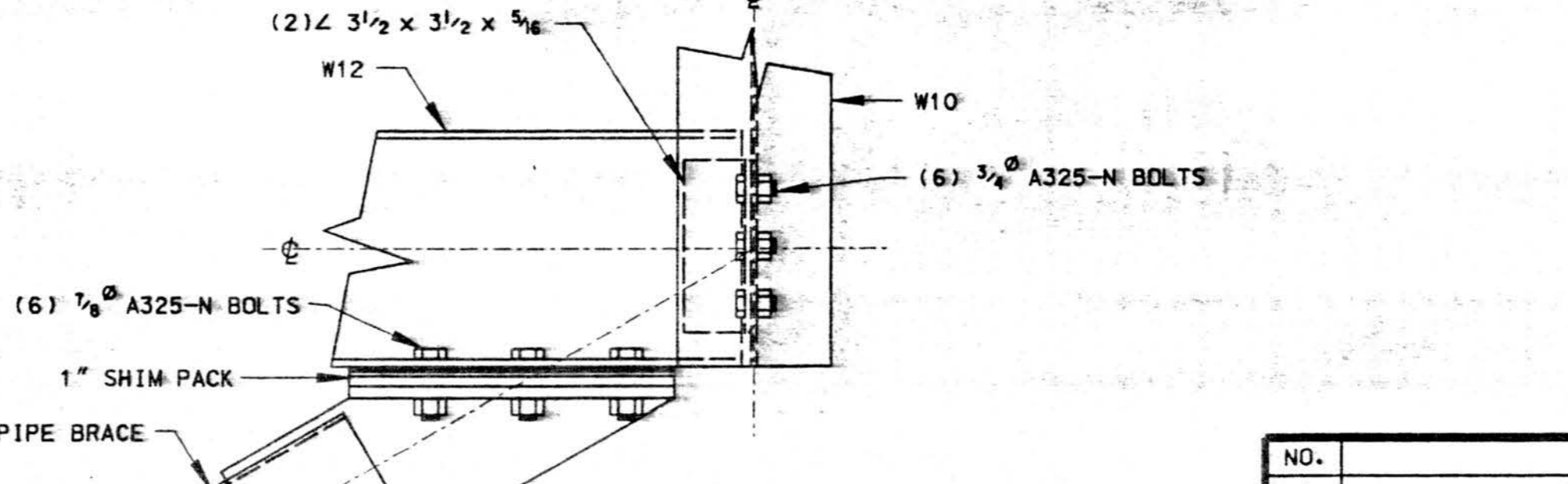


SECTION 8
TYP E33



SECTION 9
TYP E33

SECTION 10
TYP E33



SECTION 11
TYP E33

MUST BE ON
14°-2'-10\" angle (reverse)
to wing vertical
9 3/8"

Provide Elev.



MAR 24 1994

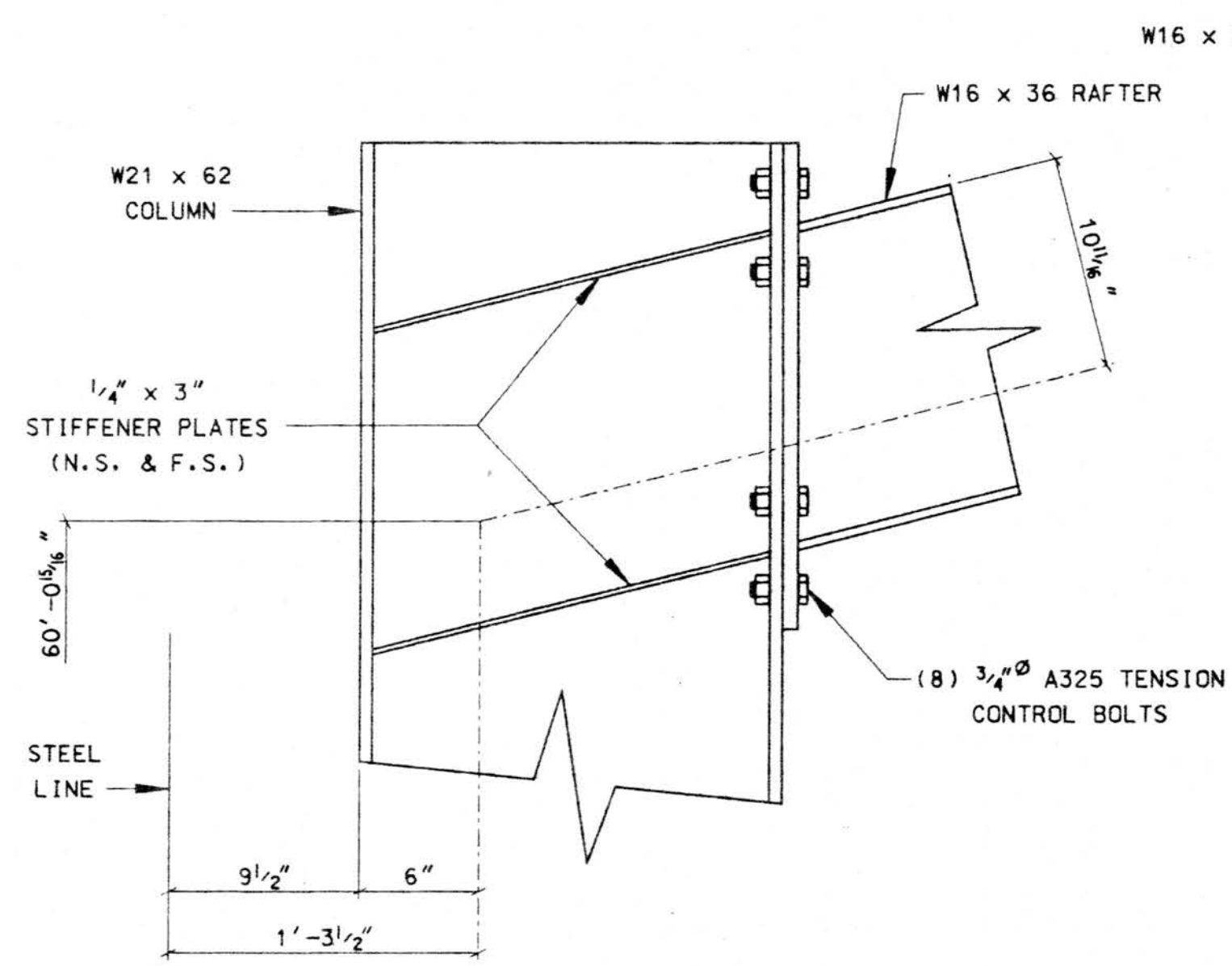
SUBMITTAL REVIEW	
APPROVED	<input type="checkbox"/>
OTHER: APPROVED AS NOTED	<input type="checkbox"/>
RETURN FOR RESUBMITTAL	<input type="checkbox"/>
DISAPPROVED - SEE REMARKS	<input type="checkbox"/>

Review is only for conformance with the design concept and with the information given in the contract documents. The contractor remains responsible for conformance with all requirements of the contract documents.
 FRANKFURT • SHORT • BRUZA ASSOCIATES, P.C.
 By: [Signature] Date: APR 26 1994
 SUBMITTAL NO: 59126-1310A-01-82

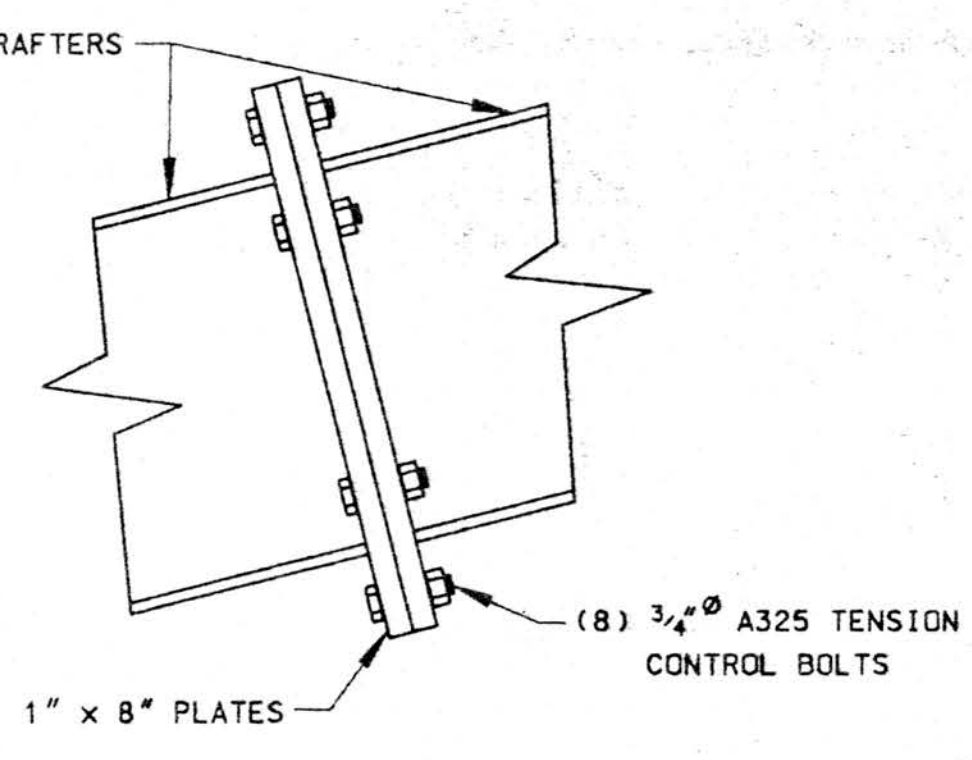


NO.	REVISION	MADE	CHK'D	DATE
A	FOR APPROVAL	LMC		3/94
		LIL	85960	

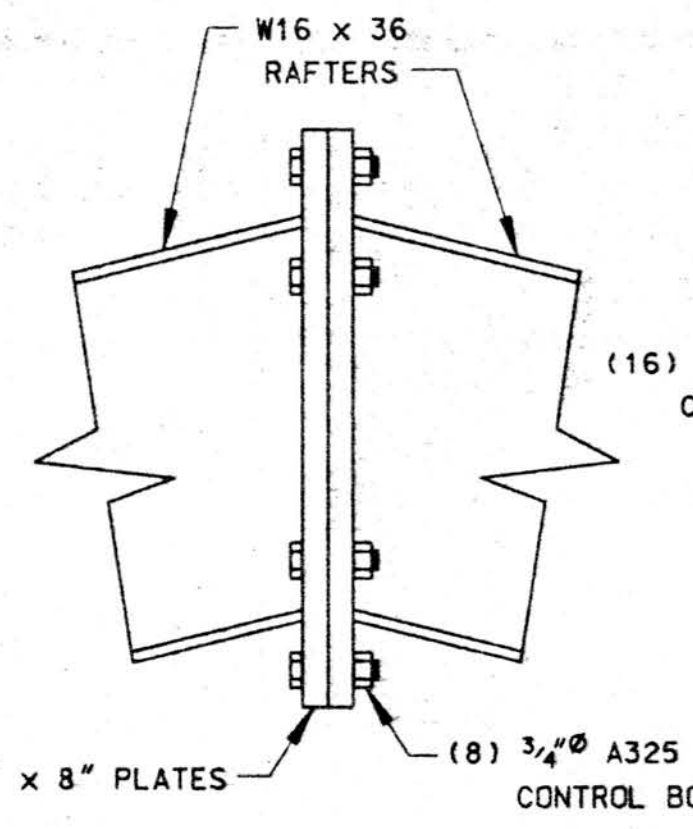
© Copyright 1994 American Buildings Company All Rights Reserved
 Builder: Seattle Construction Services, Inc.
 Owner: Alaska Industrial Development and Export Authority
 Building: Line Maintenance Hangar
 Location: Anchorage, Alaska
 DRAWN BY: LMC JOB NO.: 51-9290
 CHECKED BY: DATE 2/94 DWG. E33



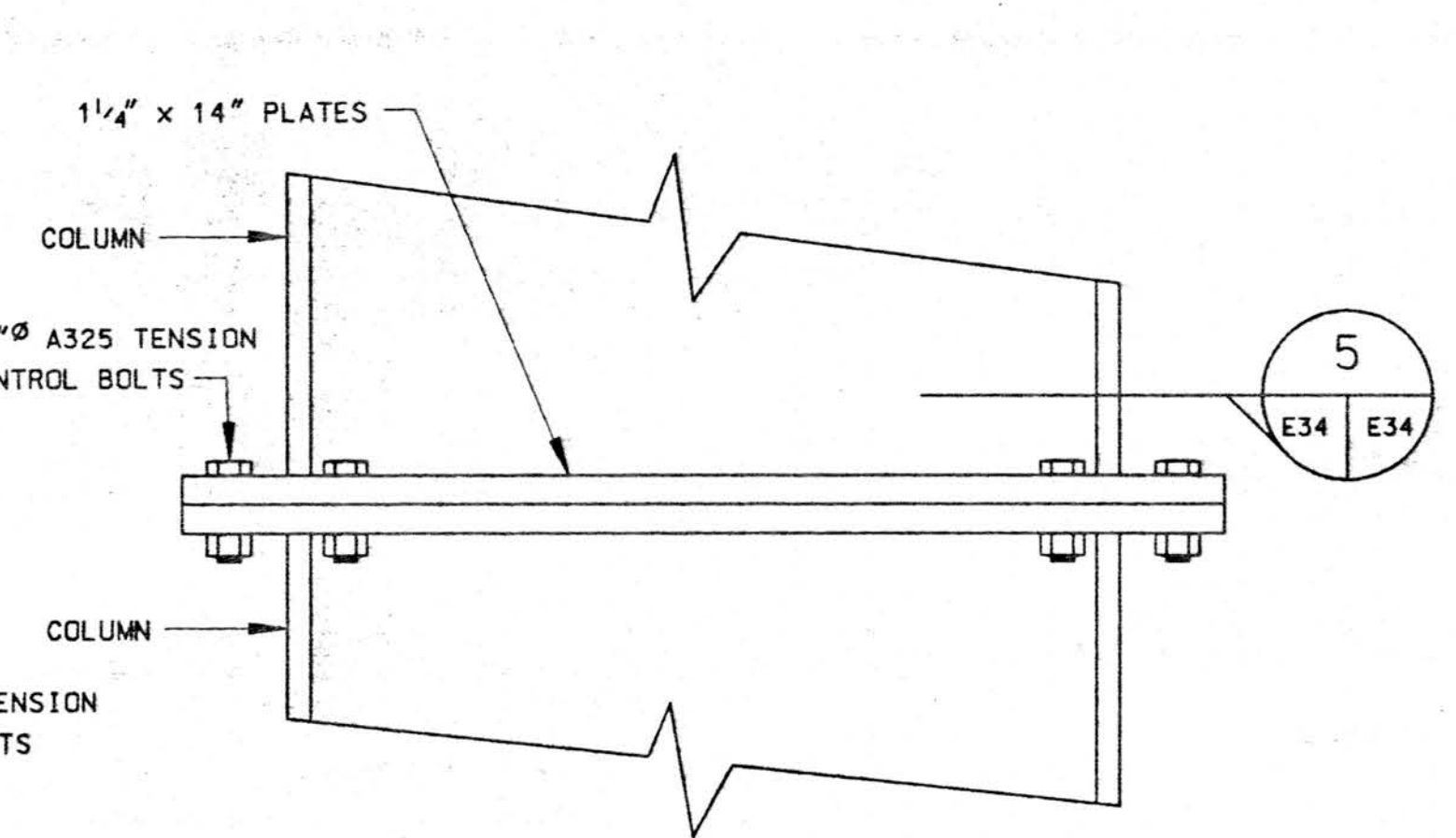
SECTION 1
TYP. E34



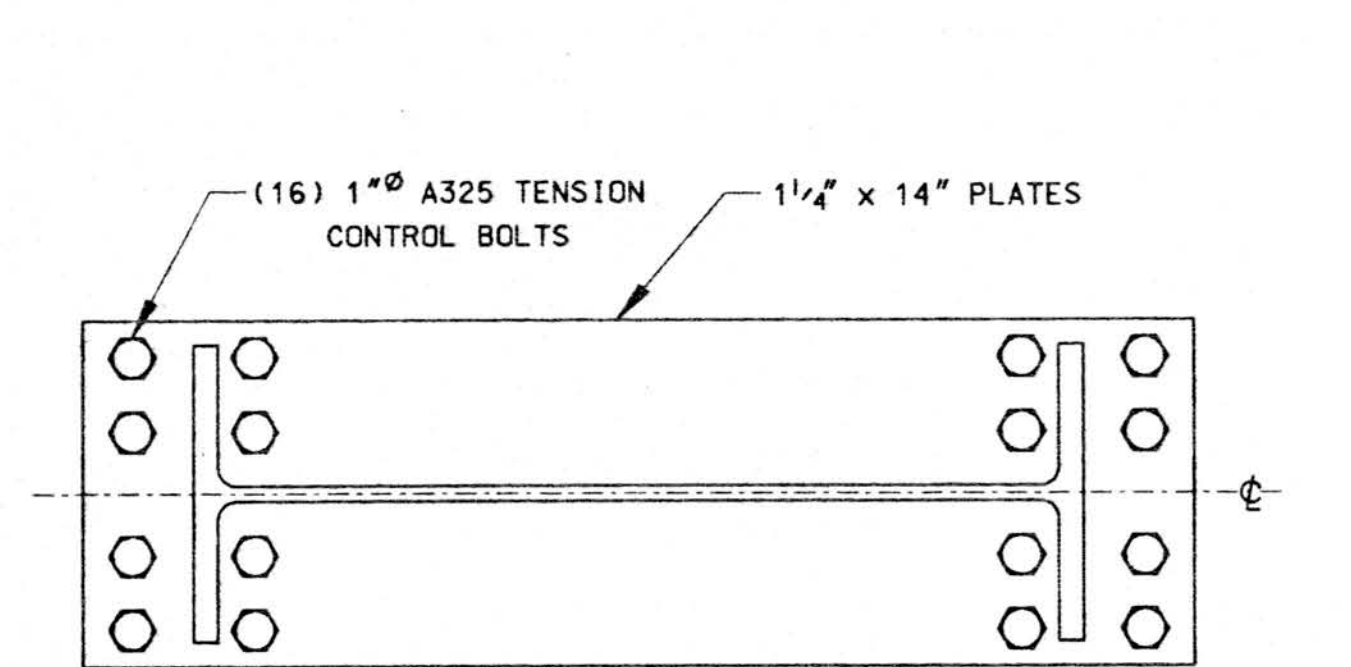
SECTION 2
TYP. E34



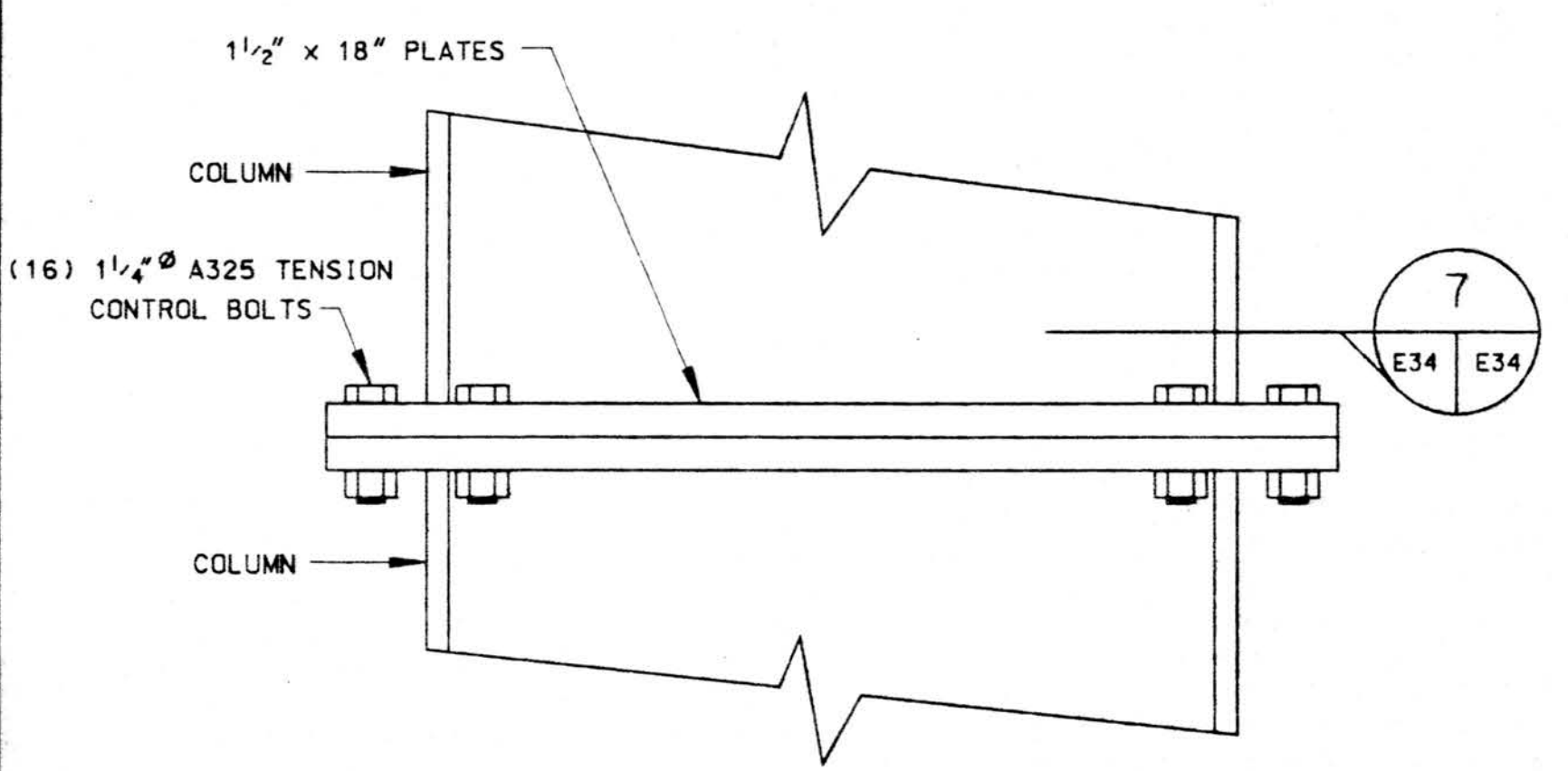
SECTION 3
TYP. E34



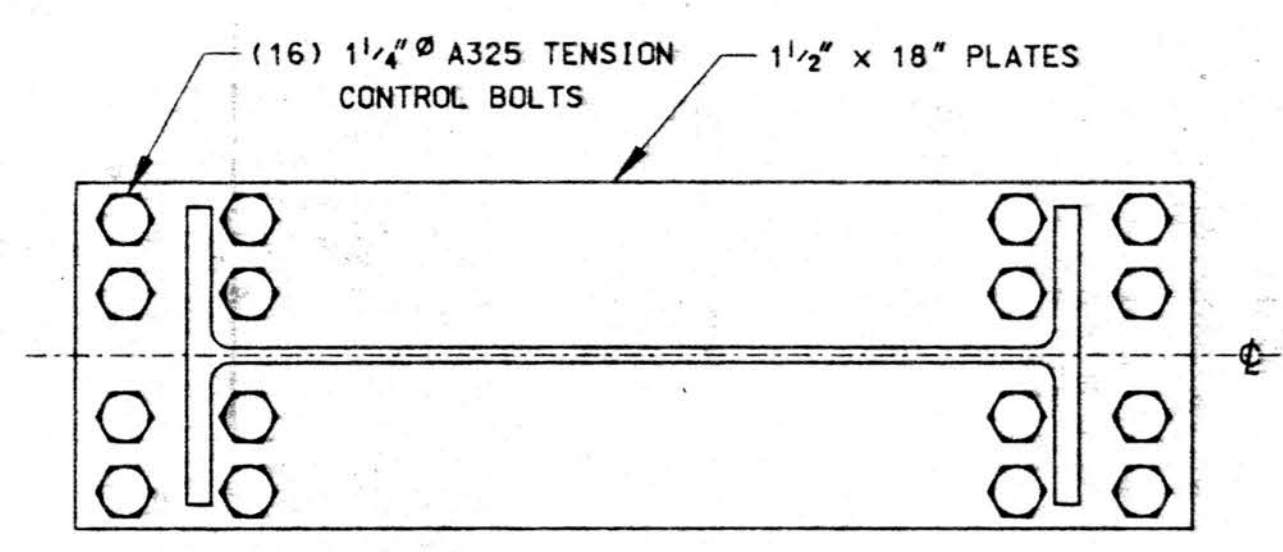
SECTION 4
TYP. E34



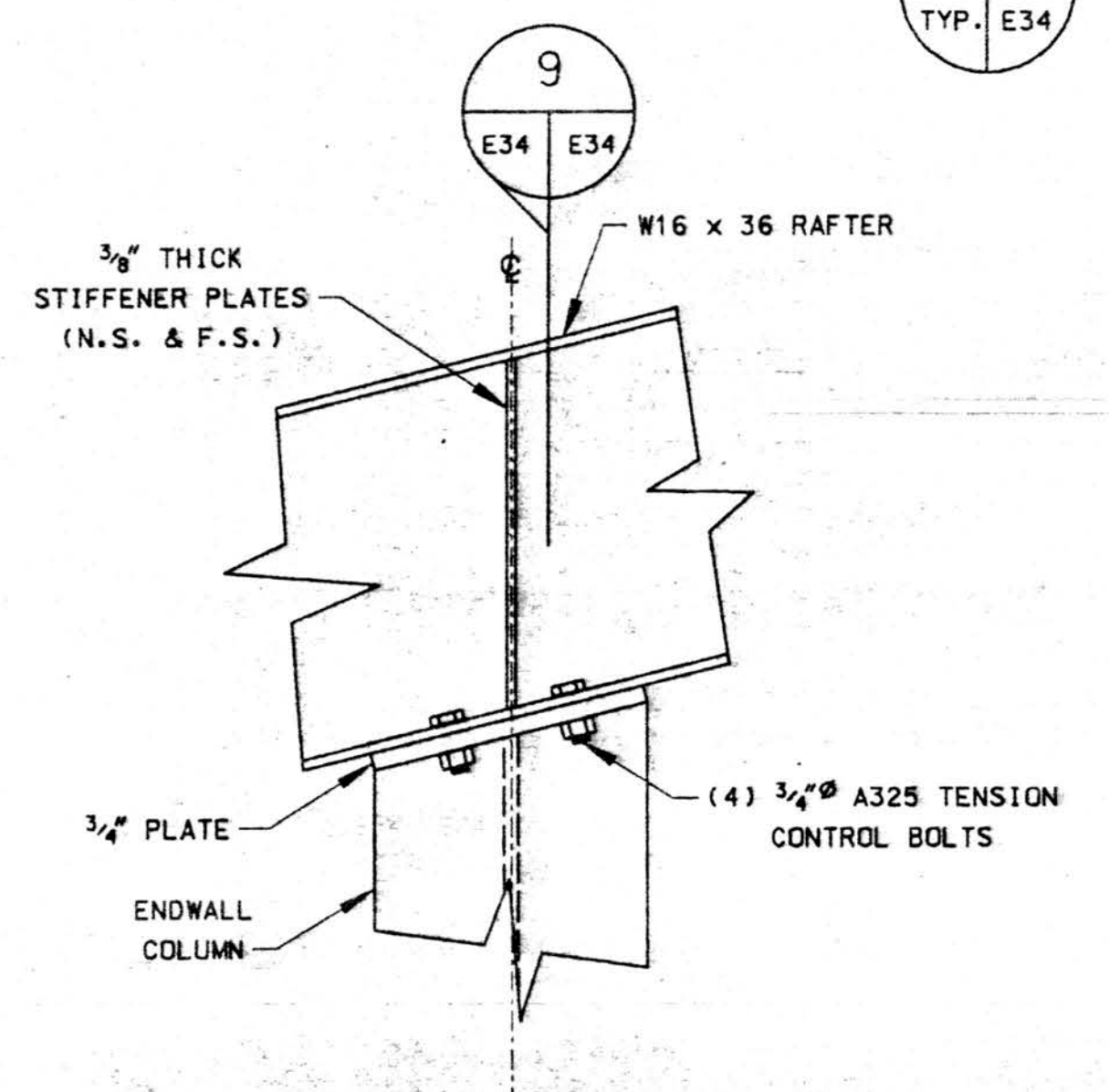
SECTION 5
E34 E34



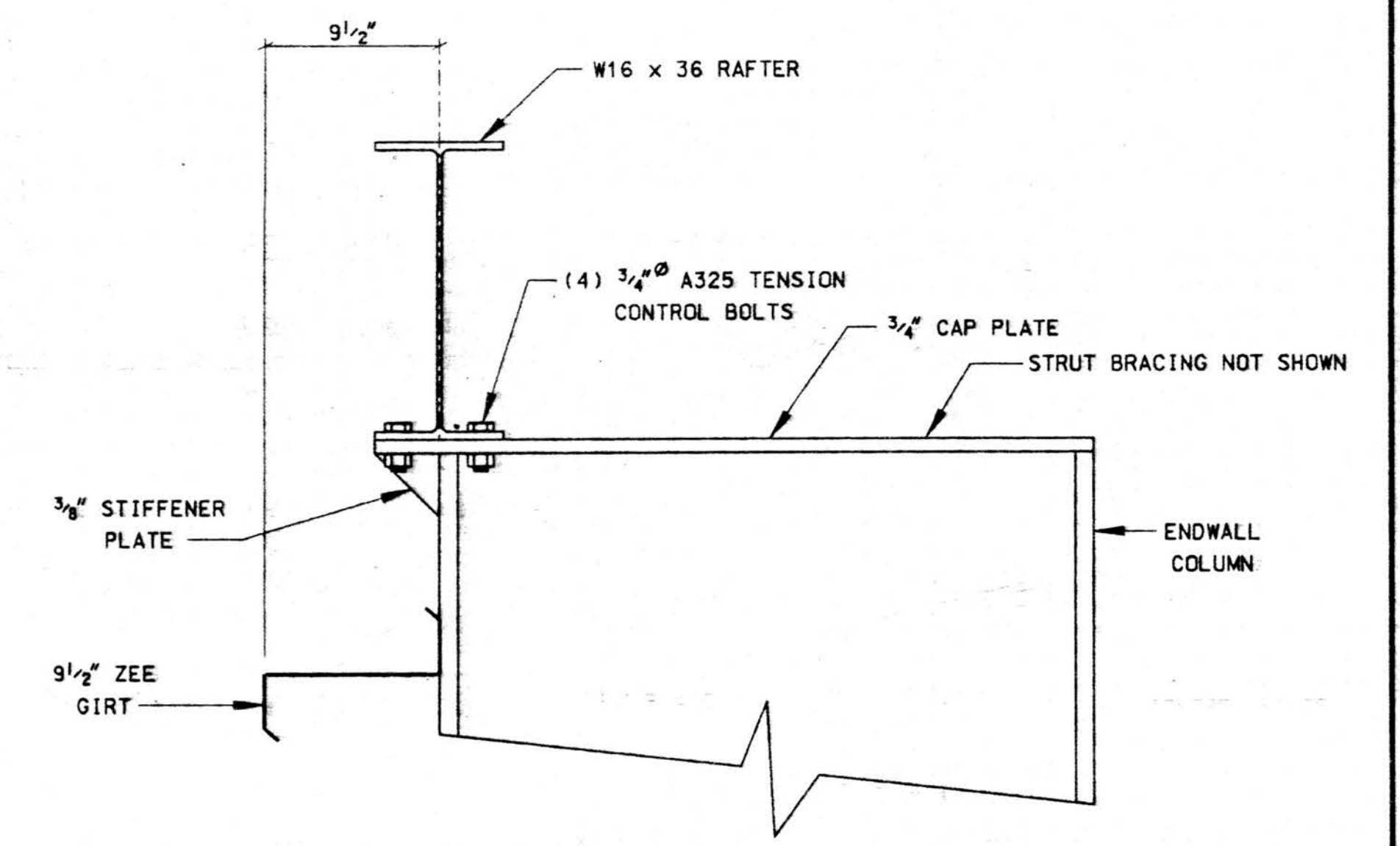
SECTION 6
VARIES E34



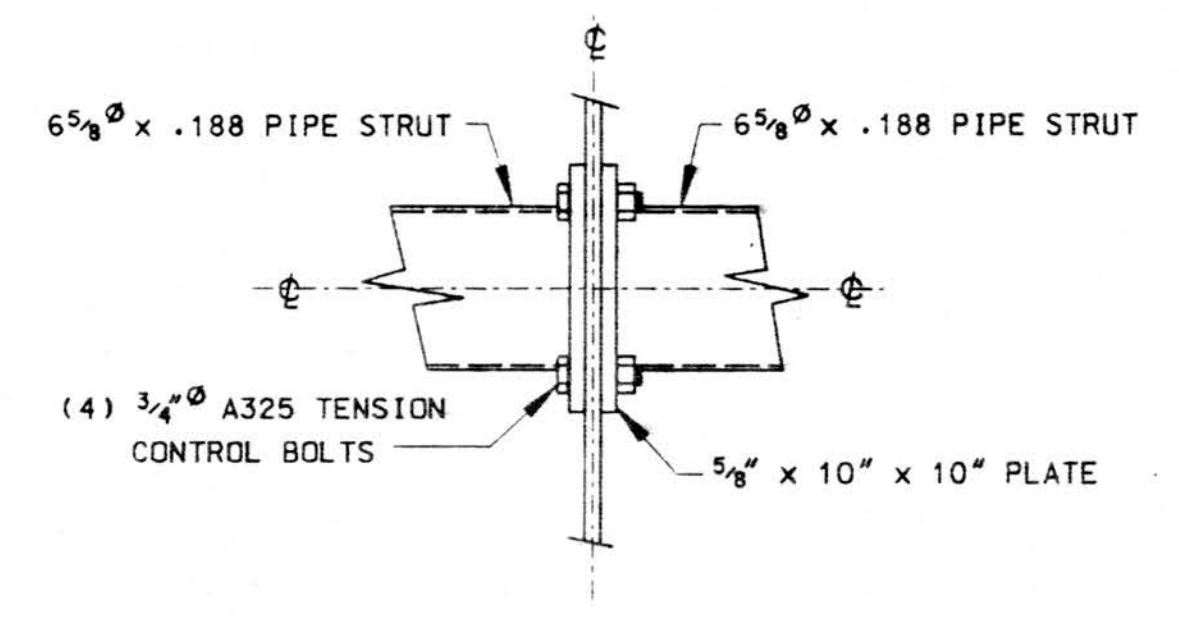
SECTION 7
E34 E34



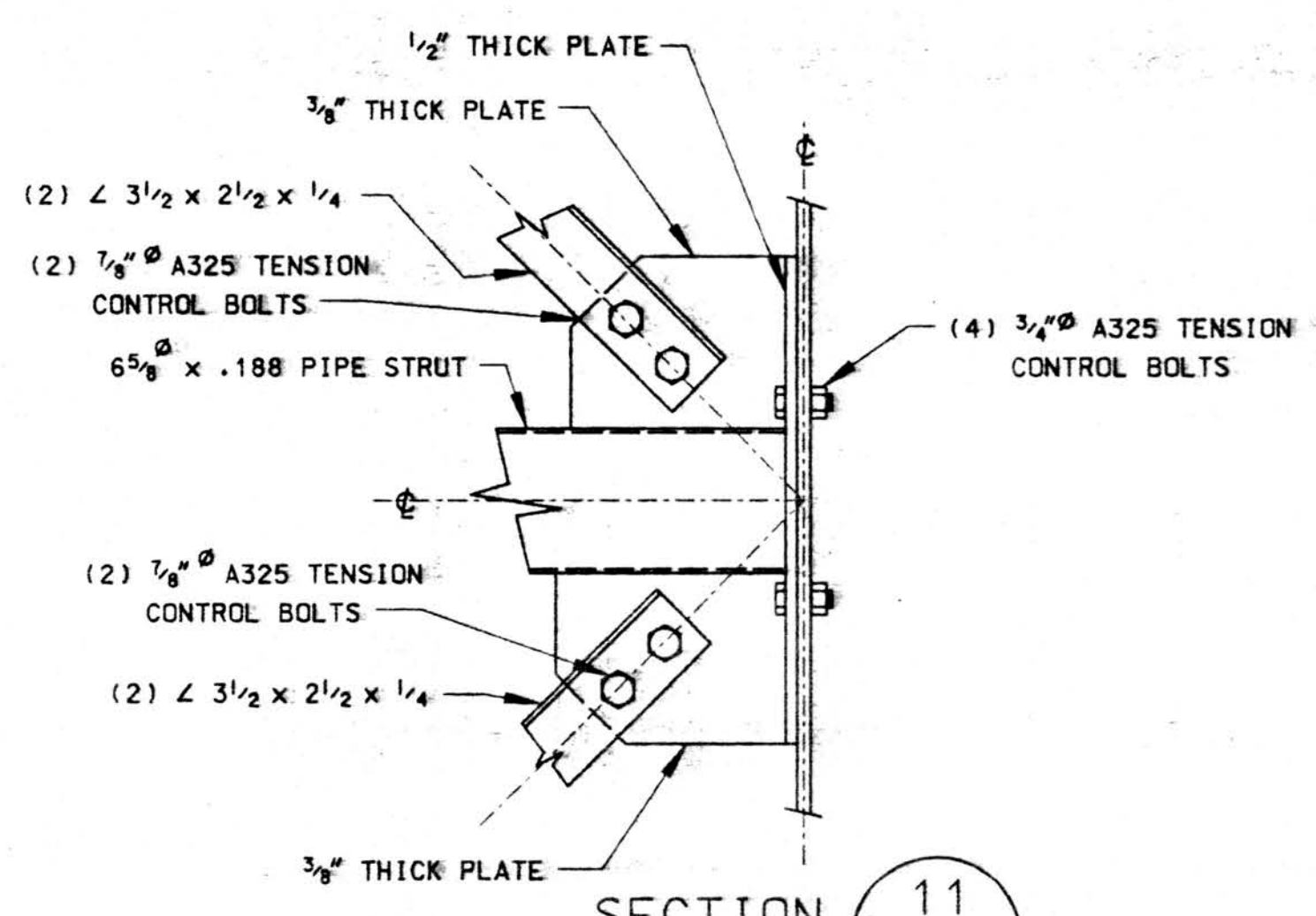
SECTION 8
E34 E34



SECTION 9
E34 E34



SECTION 10
TYP. E34



SECTION 11
TYP. E34



MAR 24 1994

SUBMITTAL REVIEW	
APPROVED	
OTHER:	
APPROVED AS NOTED	
RETURN FOR RESUBMITTAL	
DISAPPROVED - SEE REMARKS	
Review is only for conformance with the design concept and with the information given in the contract documents. The contractor remains responsible for compliance with all requirements of the contract documents.	
FRANK W. SHORT • BRUZI ASSOCIATES, P.C.	
By <i>FW</i>	Date APR 26 1994
SUBMITTAL NO. 126-1320A-11-02	

AMERICAN BUILDINGS COMPANY
Heavy Fabrication Division
Bellaire, Texas

NO.	REVISION	MADE	CHK'D	DATE
A	FOR APPROVAL	LMC		3/94
		LIL	85361	

© Copyright 1994 American Buildings Company All Rights Reserved

Builder: Seattle Construction Services, Inc.
Owner: Alaska Industrial Development and Export Authority
Building: Line Maintenance Hangar
Location: Anchorage, Alaska

DRAWN BY: LMC JOB NO.: 51-9290
CHECKED BY: DATE 2/94 DWG. E34