

DEVICE LEGEND	
ARB	ALARM RESET BUTTON
B-EPM	BUS ELECTRONIC POWER METER - SHARK
ESB	EMERGENCY STOP BUTTON
EZGEN	GENERATOR CONTROL PACKAGE
GLS	GENERATOR LOCKOUT SWITCH
GPR	GENERATOR PROTECTIVE RELAY (DISABLED)
OIU	OPERATOR INTERFACE UNIT
LTB	LAMP TEST BUTTON
SMS	MASTER CONTROL SWITCH (AUTO-MANUAL)
SS-EPM	STATION SERVICE POWER METER - SHARK
42xx	CONTACTOR
42CS	CONTACTOR CONTROL SWITCH
52xx	CIRCUIT BREAKER

GENERATOR ANNUNCIATOR LEGEND:			
1	ENGINE RUN	13	NOT IN AUTO POSITION
2	ENGINE IDLE	14	GENERATOR BREAKER OPEN
3	ENGINE ALARM	15	FAIL TO SYNCHRONIZE
4	LOW OIL PRESSURE	16	OVERCURRENT
5	LOW OIL LEVEL	17	UNDER VOLTAGE
6	HIGH OIL TEMPERATURE	18	OVER VOLTAGE
7	HIGH WATER TEMPERATURE	19	UNDER FREQUENCY
8	OVERSPEED	20	OVER FREQUENCY
9	OVERCRANK	21	LOSS OF EXCITATION
10	COOLDOWN/LOCKOUT	22	REVERSE POWER
11	BATTERY CHARGER FAILURE	23	CONTACTOR OPEN
12	NORMAL STOP	24	CONTACTOR CLOSED

MASTER ANNUNCIATOR LEGEND:			
1	FIRE ALARM LIGHT	11	HEAT RECOVERY NO LOAD
2	EMERGENCY STOP LIGHT	12	HEAT RECOVERY LOSS OF PRESSURE
3	SYSTEM LOW WATER LEVEL LIGHT	13	HEAT RECOVERY LOSS OF FLOW
4	LOW FUEL LEVEL LIGHT	14	SPARE 1
5	BUS UNDER/OVER VOLTAGE LIGHT	15	SPARE 2
6	BUS UNDER/OVER FREQUENCY LIGHT	16	SPARE 3
7	FEEDER BREAKER OVERCURRENT LIGHT	17	FEEDER BREAKER OPEN
8	PRIMARY PLC FAILURE	18	FEEDER BREAKER CLOSED
9	OPERATING ON BACKUP PLC	19	STATION SERVICE BREAKER OPEN
10	BACKUP PLC FAILURE	20	STATION SERVICE BREAKER CLOSED

DRAWING LEGEND	
1	PHYSICAL LAYOUT
2	SINGLE LINE DIAGRAM
3	BLANK
4A	GENERATOR 1 AC SCHEMATIC
4B	GENERATOR 2 AC SCHEMATIC
4C	GENERATOR 3 AC SCHEMATIC
4D	GENERATOR 4 AC SCHEMATIC
5	MASTER AC & DISTRIBUTION SCHEMATIC
6A	GENERATOR 1 DC CONTROL SCHEMATIC
6B	GENERATOR 2 DC CONTROL SCHEMATIC
6C	GENERATOR 3 DC CONTROL SCHEMATIC
6D	GENERATOR 4 DC CONTROL SCHEMATIC
7A	GENERATOR 1 DC CONTROL SCHEMATIC
7B	GENERATOR 2 DC CONTROL SCHEMATIC
7C	GENERATOR 3 DC CONTROL SCHEMATIC
7D	GENERATOR 4 DC CONTROL SCHEMATIC
8A	GENERATOR 1 DC CONTROL SCHEMATIC
8B	GENERATOR 2 DC CONTROL SCHEMATIC
8C	GENERATOR 3 DC CONTROL SCHEMATIC
8D	GENERATOR 4 DC CONTROL SCHEMATIC

DRAWING LEGEND	
9	MASTER DC CONTROL SCHEMATIC
10	MASTER DC CONTROL SCHEMATIC
11	MASTER DC CONTROL SCHEMATIC
12	BLANK
13	BLANK
14	PLC COMMUNICATION DIAGRAM
15	COMMUNICATION NETWORK DIAGRAM
16	EPM MONITORING & SYSTEM COMMUNICATION DIAGRAM
17	HEATER & LIGHTING CONTROL SCHEMATIC
18	CONTROL SWITCH TARGET DIAGRAM
19	NAMEPLATE DETAILS
20	INTERCONNECTION DIAGRAM

NOTES	
1	WIRE MARKERS: HEATSHRINK TYPE C/W INDELIBLE INK MARKINGS
2	WIRE TYPE: ALL CONNECTIONS TO BUS AND BREAKERS TO BE #14AWG SIS. WIRING THAT IS TO BE PROVIDED AS PART OF OR IS AN INTEGRAL PART OF SUPERVISORY CONTROL EQUIPMENT SHALL BE #18-14AWG SIS. CT WIRING TO BE #10AWG SIS MIN.
3	WIRING COLOR CODED: NO WIRE NUMBERS TO MATCH TERMINAL NUMBERS UNLESS NOTED
4	LOAD BUS TO BE 1000A 3PH 4W SILVER PLATED COPPER BRACED AT 35KA.
5	ENCLOSURE TYPE NEMA 1 BUILT TO UL991.
6	PAINT ASA #61 GREY EXTERIOR, WHITE MOUNTING PAN
7	ENCLOSURE SUPPLIED IN THREE PIECES
8	FULL LENGTH COPPER GROUND BUS 0.25" X 2.5" C/W (6) #6-250MCM GROUND LUGS
9	POWER CABLES: UTILITY FROM BOTTOM; GEN & LOAD TOP. FRONT AND REAR ACCESS REQUIRED.
10	LAMICQIDS WHITE C/W BLACK LETTERS, MECHANICALLY ATTACHED
11	CABLE LUG SIZES: GEN 1, 2: (1) #8 - 600MCM Cu/AL PER PHASE GEN 3, 4: (1) #8 - 350MCM Cu/AL PER PHASE LOAD: (1) #8 - 600MCM Cu/AL PER PHASE SS: (1) #12 - 3/0 Cu/AL PER PHASE

EZGEN READOUT	
* INCLUDES, BUT IS NOT LIMITED TO THE FOLLOWING LIST OF METERING, STATUS, AND ALARMS.	
METERING LEGEND	
1. VOLTS: Aφ, Bφ, Cφ L-N, L-L	
2. AMPS: Aφ, Bφ, Cφ	
3. KW	
4. PF	
5. KWH	
ALARM LEGEND	
1. LOW OIL PRESSURE ALARM	
2. LOW OIL PRESSURE SHUTDOWN	
3. HIGH WATER TEMPERATURE ALARM	
4. HIGH WATER TEMPERATURE SHUTDOWN	
5. OVERCRANK	
6. OVERSPEED	
7. LOW OIL LEVEL	
ANALOG INPUT LEGEND	
1. OIL PRESSURE (PSI)	
2. WATER TEMP (°F)	
MISC. LEGEND	
1. ENGINE HOURS	
2. ENGINE START COUNTER	
3. MAINTENANCE CALL	

**CROOKED CREEK SWITCHGEAR UPGRADE, 25 SHEETS TOTAL.**  
**NOTE THAT THESE DRAWINGS SHOW A PRIOR UPGRADE TO EXISTING SWITCHGEAR THAT IS SIMILAR TO THE UPGRADE OF THE EXISTING SWITCHGEAR IN THE COMMUNITIES FOR THIS PROJECT. THEY ARE PROVIDED FOR REFERENCE ONLY TO SHOW THE TYPE AND EXTENT OF MODIFICATIONS.**

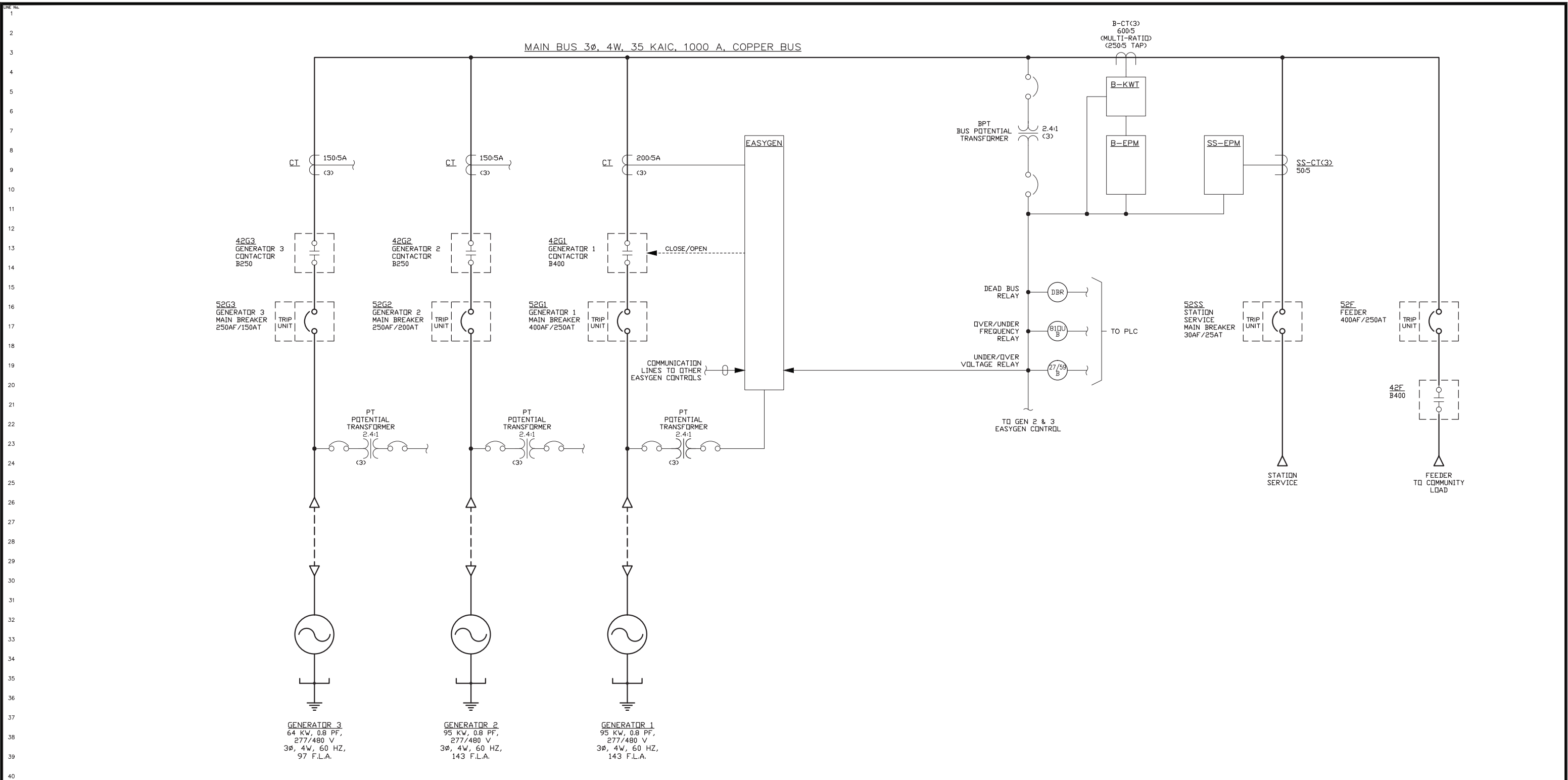
REV.	DATE	AS BUILT	DESCRIPTION	RAC	BY
B	09-21-16	AS BUILT			

PURCHASE ORDER No. ERNIE BAUMGARTNER CONTROLLED POWER JOB No. 8438CC  
 TITLE: GENERATOR CONTROL PANEL ELEVATION VIEW, OUTLINE DIAGRAM

SCALE: NONE      DATE: 08-23-16      DWN. BY: GPN  
 DWG. No: 8438CC-4101-D      SHEET: 1 OF 1      CKD. BY: JMD  
 JOB: CROOKED CREEK EASYGEN UPGRADE

**NOTICE**  
 THE DRAWINGS, INFORMATION AND SUBJECT MATTER HEREOF ARE THE CONFIDENTIAL, SOLE AND EXCLUSIVE PROPERTY OF CONTROLLED POWER, INC. AND ARE NOT TO BE COPIED, REPRODUCED OR USED IN ANY MANNER FOR ANY PURPOSE WHATSOEVER WITHOUT WRITTEN CONSENT OR DIRECTION.

ENGINEERED & MANUFACTURED BY  
**Controlled Power, Inc.**  
 BOTHELL, WASHINGTON USA  
 (425)-485-1778      www.controlledpowerinc.com



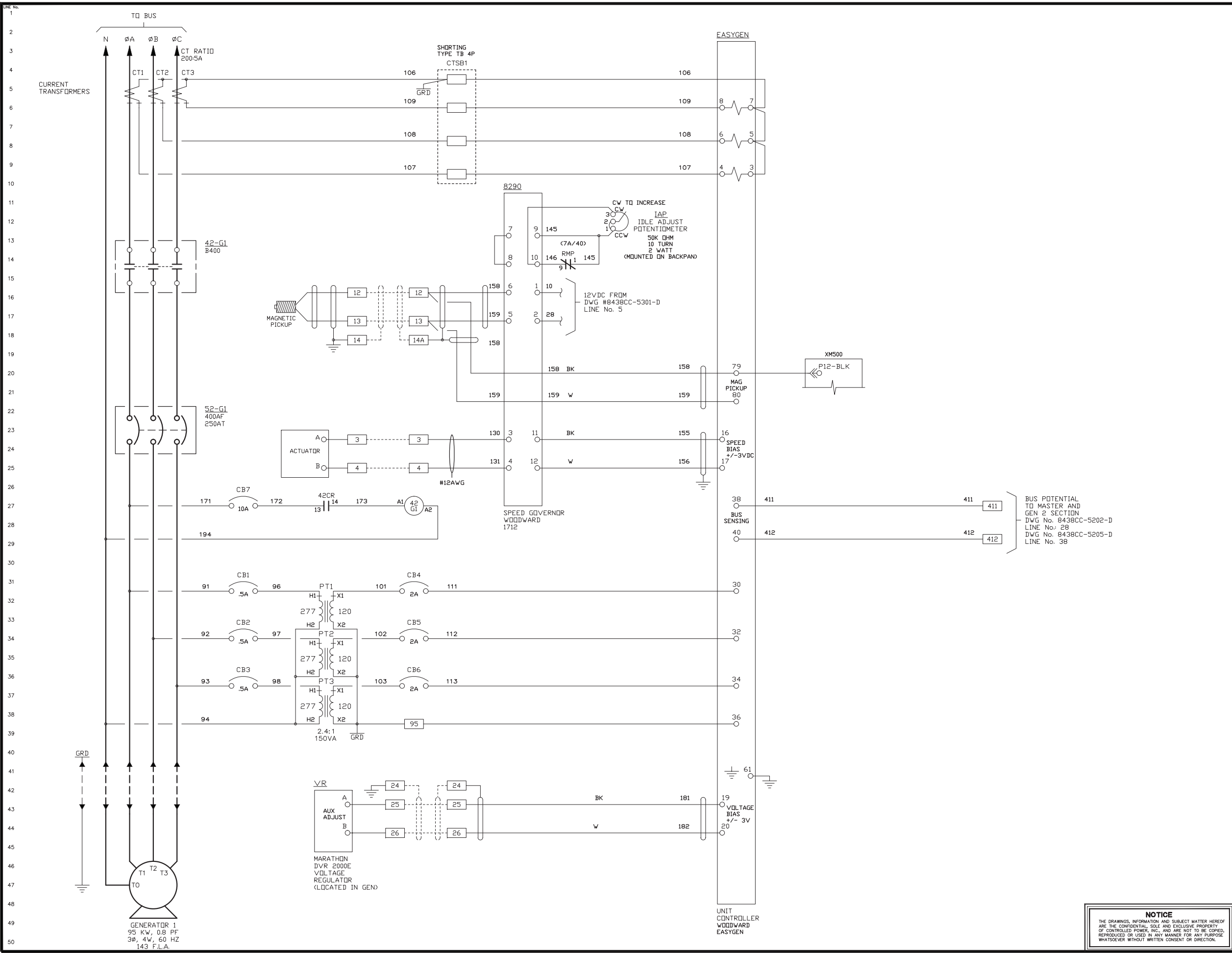
NOTE:  
GENERATORS 2 & 3 SIMILAR TO GENERATOR 1.

REV.	DATE	DESCRIPTION	BY
B	09-21-16	AS BUILT	RAC
PURCHASE ORDER No. ERNIE BAUMGARTNER CONTROLLED POWER JOB No. 8438CC			
TITLE: GENERATOR SINGLE LINE, SCHEMATIC DIAGRAM			
SCALE: NONE	DATE: 08-23-16	DWN. BY: GPN	
DWG. No: 8438CC-5101-D	SHEET: 1 OF 1	CKD. BY: JMD	
JOB: CROOKED CREEK EASYGEN UPGRADE			

**NOTICE**  
THE DRAWINGS, INFORMATION AND SUBJECT MATTER HEREOF ARE THE CONFIDENTIAL, SOLE AND EXCLUSIVE PROPERTY OF CONTROLLED POWER, INC. AND ARE NOT TO BE COPIED, REPRODUCED OR USED IN ANY MANNER FOR ANY PURPOSE WHATSOEVER WITHOUT WRITTEN CONSENT OR DIRECTION.

ENGINEERED & MANUFACTURED BY  

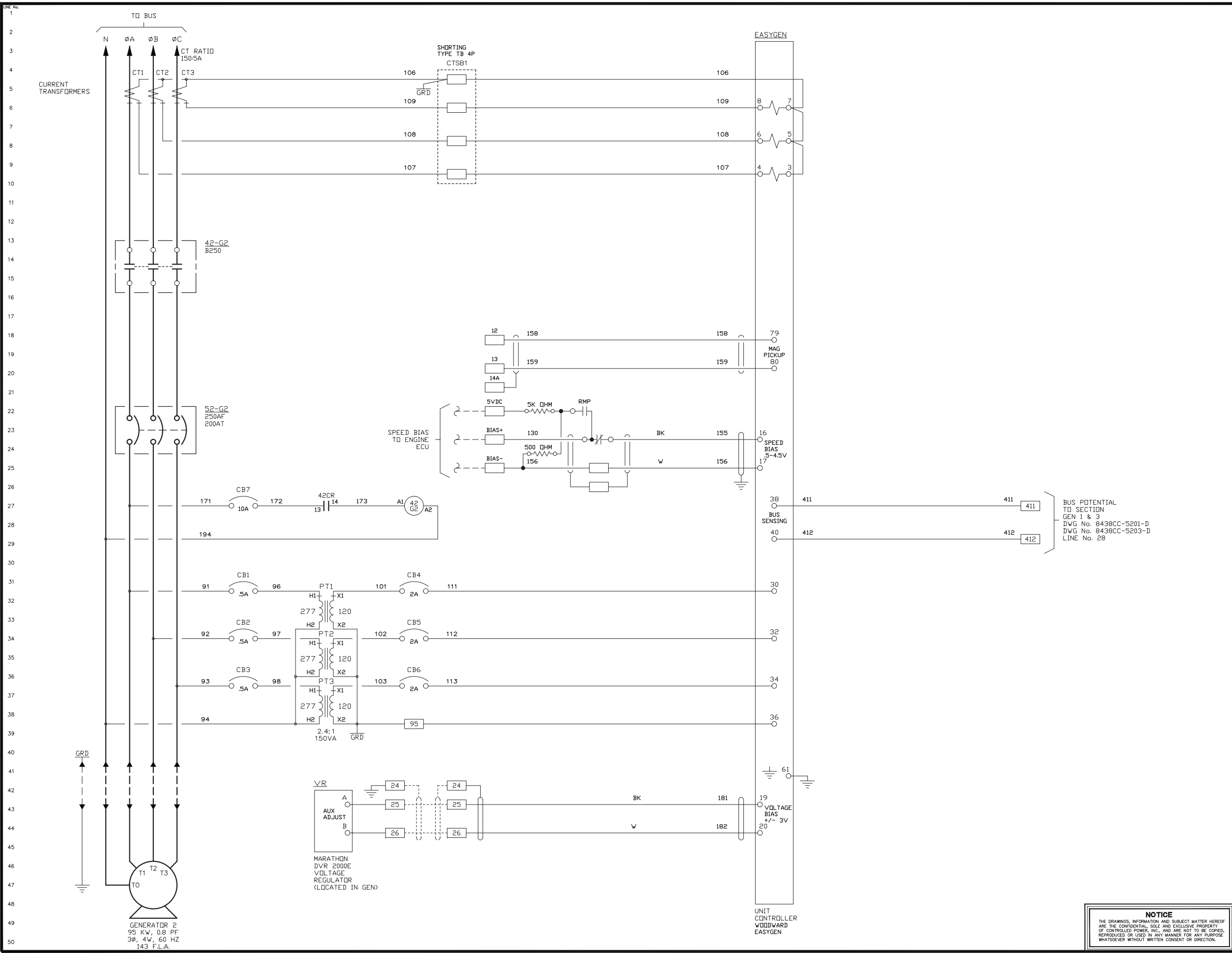
**Controlled Power, Inc.**  
 BOTHELL, WASHINGTON USA  
 (425)-485-1778 www.controlledpowerinc.com



REV.	DATE	DESCRIPTION	BY
B	09-21-16	AS BUILT	RAC
PURCHASE ORDER No. ERNIE BAUMGARTNER CONTROLLED POWER JOB No. 8438CC			
TITLE: GENERATOR 1 AC THREE LINE, SCHEMATIC DIAGRAM			
SCALE: NONE	DATE: 08-23-16	DWN. BY: GPN	
DWG. No: 8438CC-5201-D	SHEET: 1 OF 1	CKD. BY: JMD	
JOB: CROOKED CREEK EASYGEN UPGRADE			

**NOTICE**  
THE DRAWINGS, INFORMATION AND SUBJECT MATTER HEREOF ARE THE CONFIDENTIAL, SOLE AND EXCLUSIVE PROPERTY OF CONTROLLED POWER, INC., AND ARE NOT TO BE COPIED, REPRODUCED OR USED IN ANY MANNER FOR ANY PURPOSE WHATSOEVER WITHOUT WRITTEN CONSENT OR DIRECTION.

ENGINEERED & MANUFACTURED BY  
**Controlled Power, Inc.**  
BOTHELL, WASHINGTON USA  
(425)-485-1778 www.controlledpowerinc.com

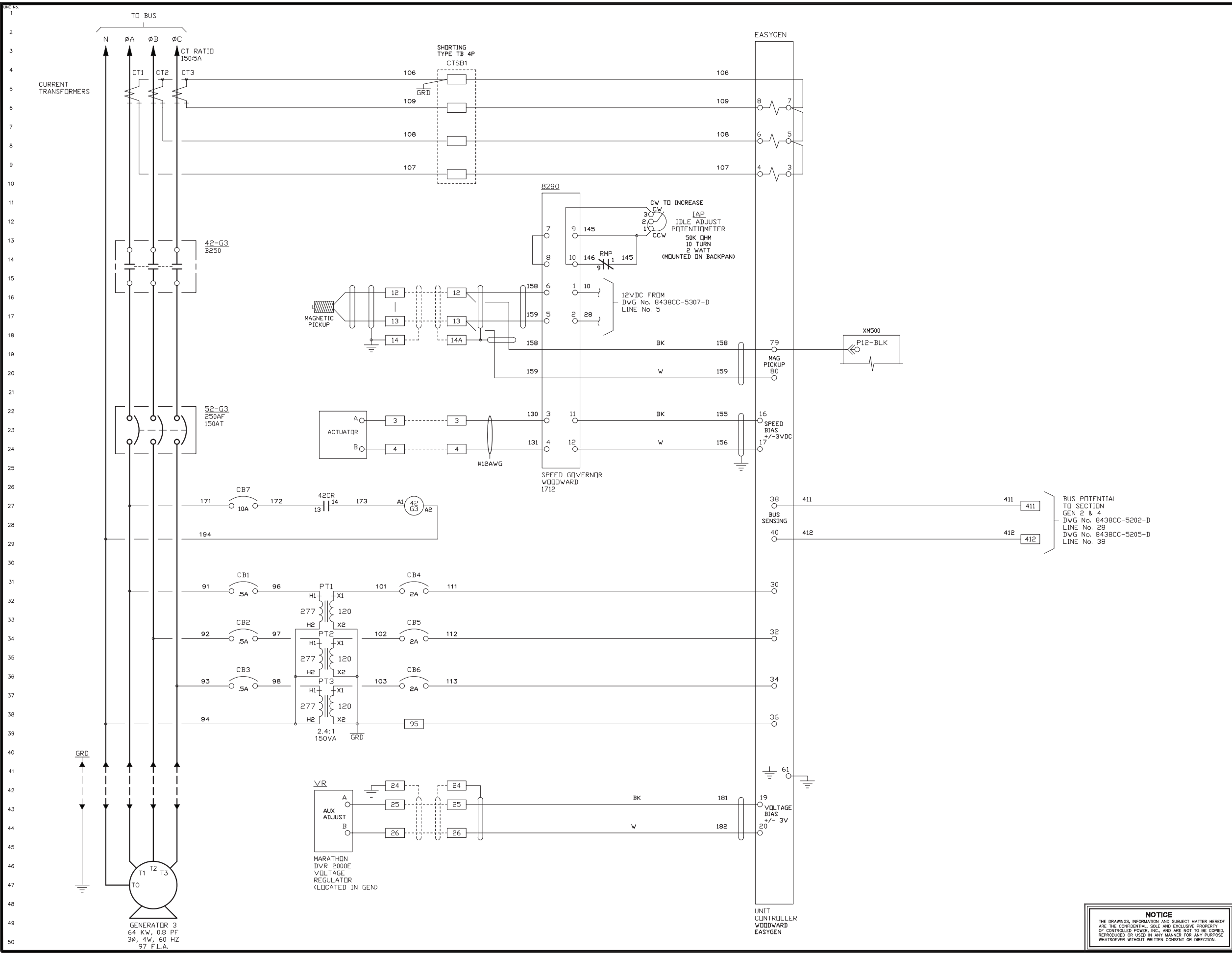


BUS POTENTIAL TO SECTION GEN 1 & 3  
 DWG No. 8438CC-5201-D  
 DWG No. 8438CC-5203-D  
 LINE No. 28

REV.	DATE	DESCRIPTION	BY
B	09-21-16	AS BUILT	RAC
PURCHASE ORDER No. ERNIE BAUMGARTNER CONTROLLED POWER JOB No. 8438CC			
TITLE: GENERATOR 2 AC THREE LINE, SCHEMATIC DIAGRAM			
SCALE: NONE	DATE: 08-23-16	DWN. BY: GPN	
DWG. No: 8438CC-5202-D	SHEET: 1 OF 1	CKD. BY: JMD	
JOB: CROOKED CREEK EASYGEN UPGRADE			

**NOTICE**  
 THE DRAWINGS, INFORMATION AND SUBJECT MATTER HEREOF ARE THE CONFIDENTIAL, SOLE AND EXCLUSIVE PROPERTY OF CONTROLLED POWER, INC., AND ARE NOT TO BE COPIED, REPRODUCED OR USED IN ANY MANNER FOR ANY PURPOSE WHATSOEVER WITHOUT WRITTEN CONSENT OR DIRECTION.

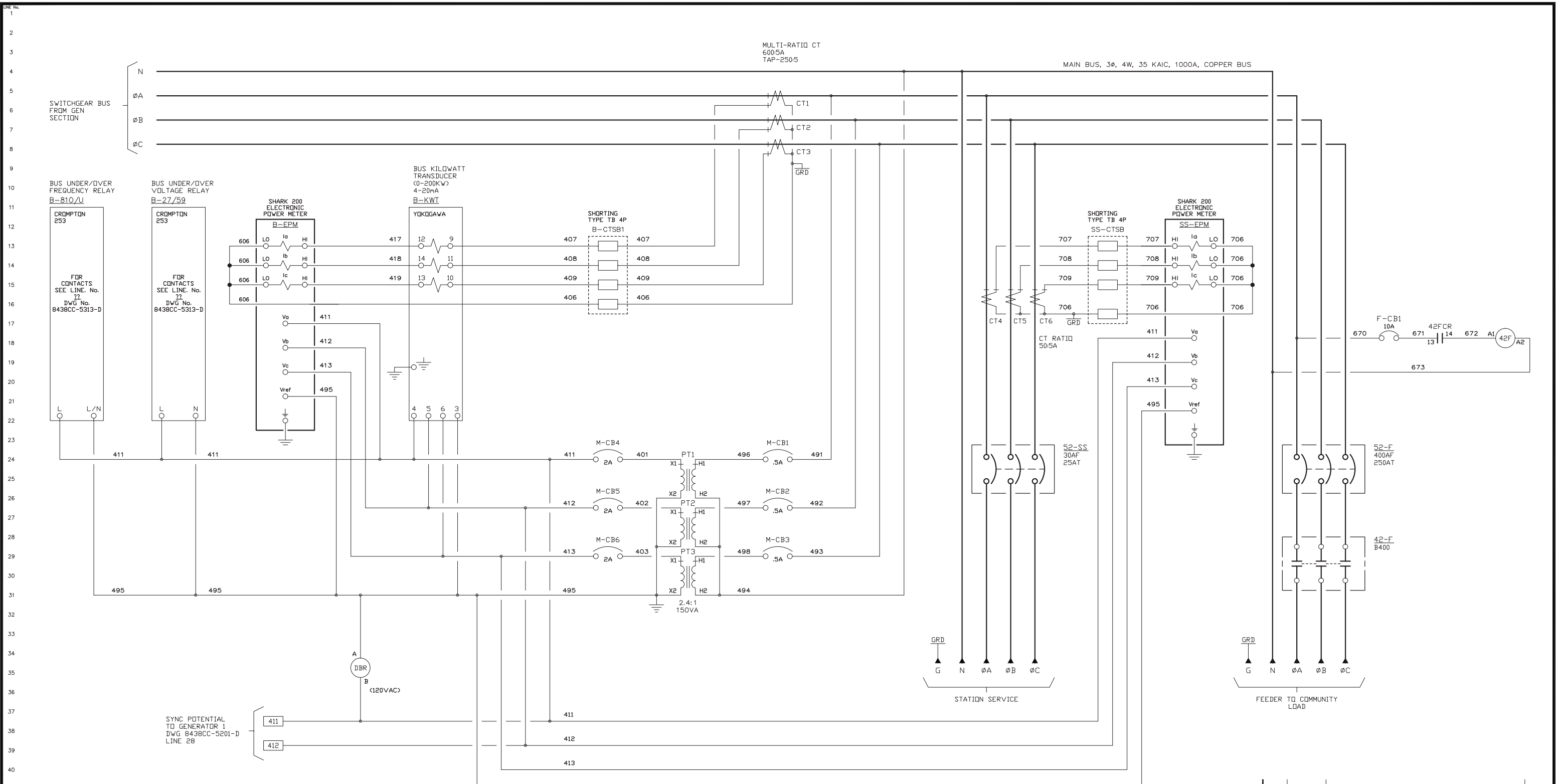
ENGINEERED & MANUFACTURED BY  
**Controlled Power, Inc.**  
 BOTHELL, WASHINGTON USA  
 (425)-485-1778 www.controlleddpowerinc.com



REV.	DATE	DESCRIPTION	BY
B	09-21-16	AS BUILT	RAC
PURCHASE ORDER No. ERNIE BAUMGARTNER CONTROLLED POWER JOB No. 8438CC			
TITLE: GENERATOR 3 AC THREE LINE, SCHEMATIC DIAGRAM			
SCALE: NONE	DATE: 08-23-16	DWN. BY: GPN	
DWG. No: 8438CC-5203-D	SHEET: 1 OF 1	CKD. BY: JMD	
JOB: CROOKED CREEK EASYGEN UPGRADE			

**NOTICE**  
 THE DRAWINGS, INFORMATION AND SUBJECT MATTER HEREOF ARE THE CONFIDENTIAL, SOLE AND EXCLUSIVE PROPERTY OF CONTROLLED POWER, INC., AND ARE NOT TO BE COPIED, REPRODUCED OR USED IN ANY MANNER FOR ANY PURPOSE WHATSOEVER WITHOUT WRITTEN CONSENT OR DIRECTION.

ENGINEERED & MANUFACTURED BY  
**Controlled Power, Inc.**  
 BOTHELL, WASHINGTON USA  
 (425)-485-1778 www.controlleddpowerinc.com

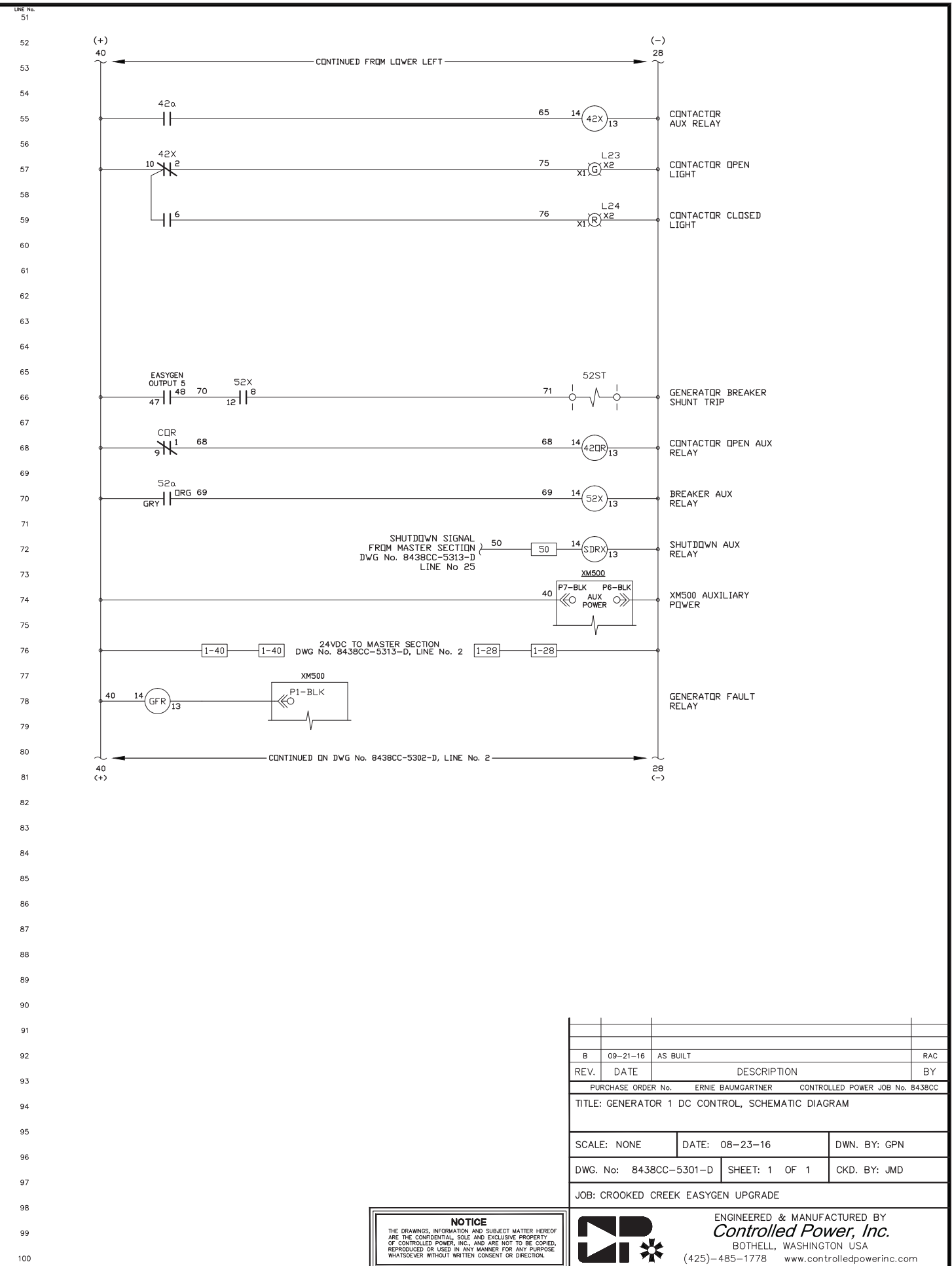
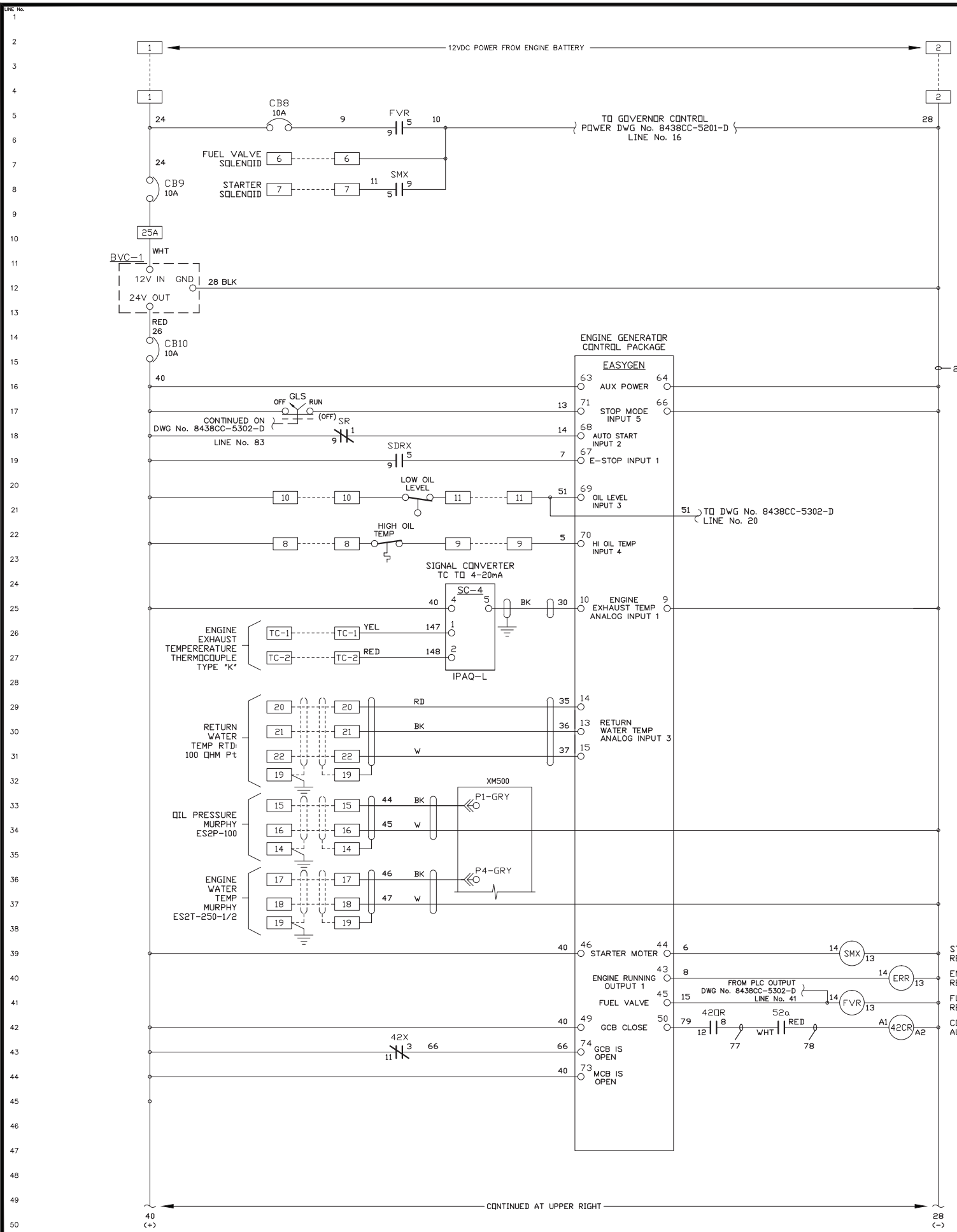


REV.	DATE	DESCRIPTION	BY
B	09-21-16	AS BUILT	RAC
PURCHASE ORDER No. ERNIE BAUMGARTNER CONTROLLED POWER JOB No. 8438CC			
TITLE: MASTER AC THREE LINE, SCHEMATIC DIAGRAM			
SCALE: NONE	DATE: 08-23-16	DWN. BY: GPN	
DWG. No: 8438CC-5205-D	SHEET: 1 OF 1	CKD. BY: JMD	
JOB: CROOKED CREEK EASYGEN UPGRADE			

**NOTICE**  
 THE DRAWINGS, INFORMATION AND SUBJECT MATTER HEREOF ARE THE CONFIDENTIAL, SOLE AND EXCLUSIVE PROPERTY OF CONTROLLED POWER, INC., AND ARE NOT TO BE COPIED, REPRODUCED OR USED IN ANY MANNER FOR ANY PURPOSE WHATSOEVER WITHOUT WRITTEN CONSENT OR DIRECTION.



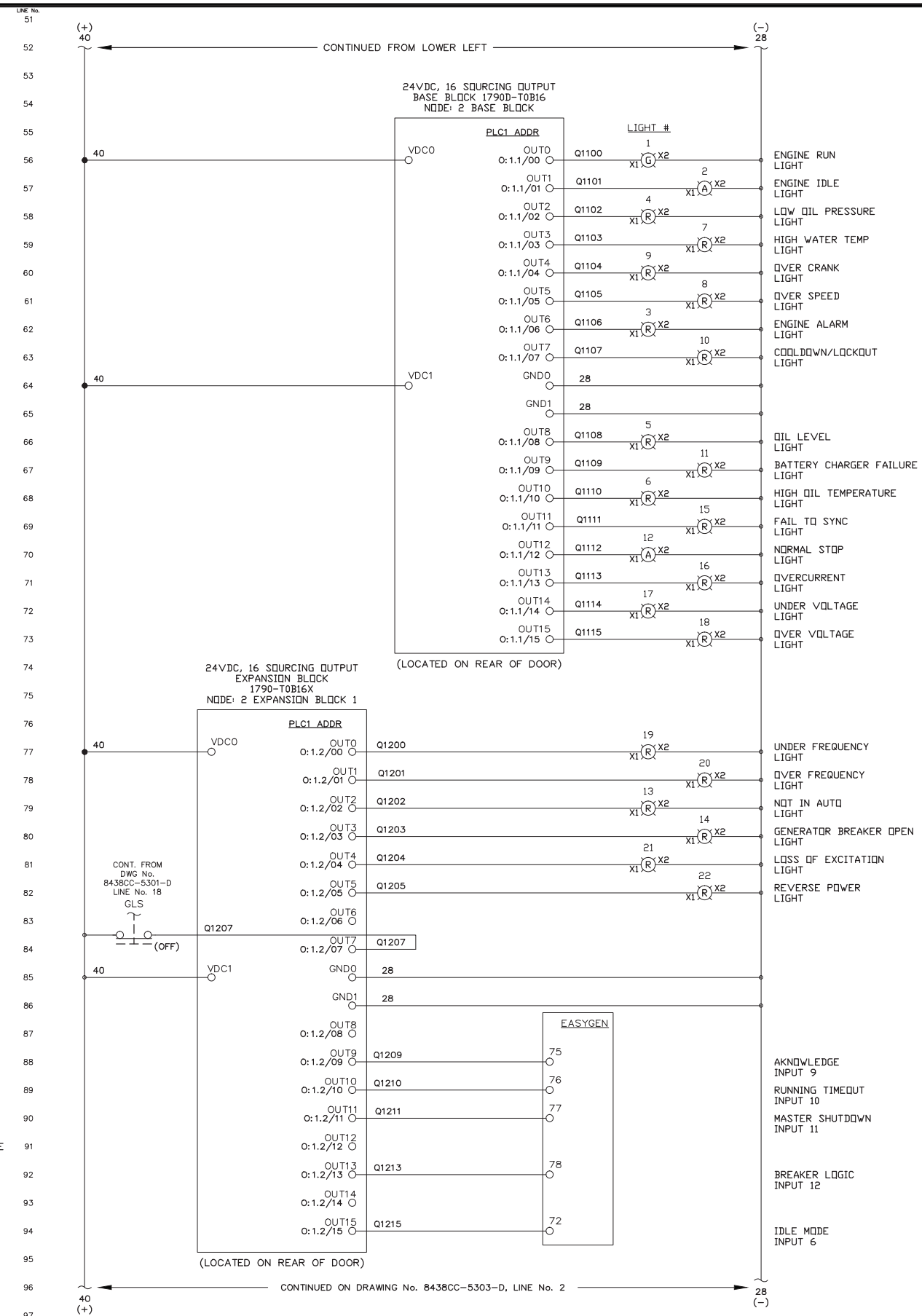
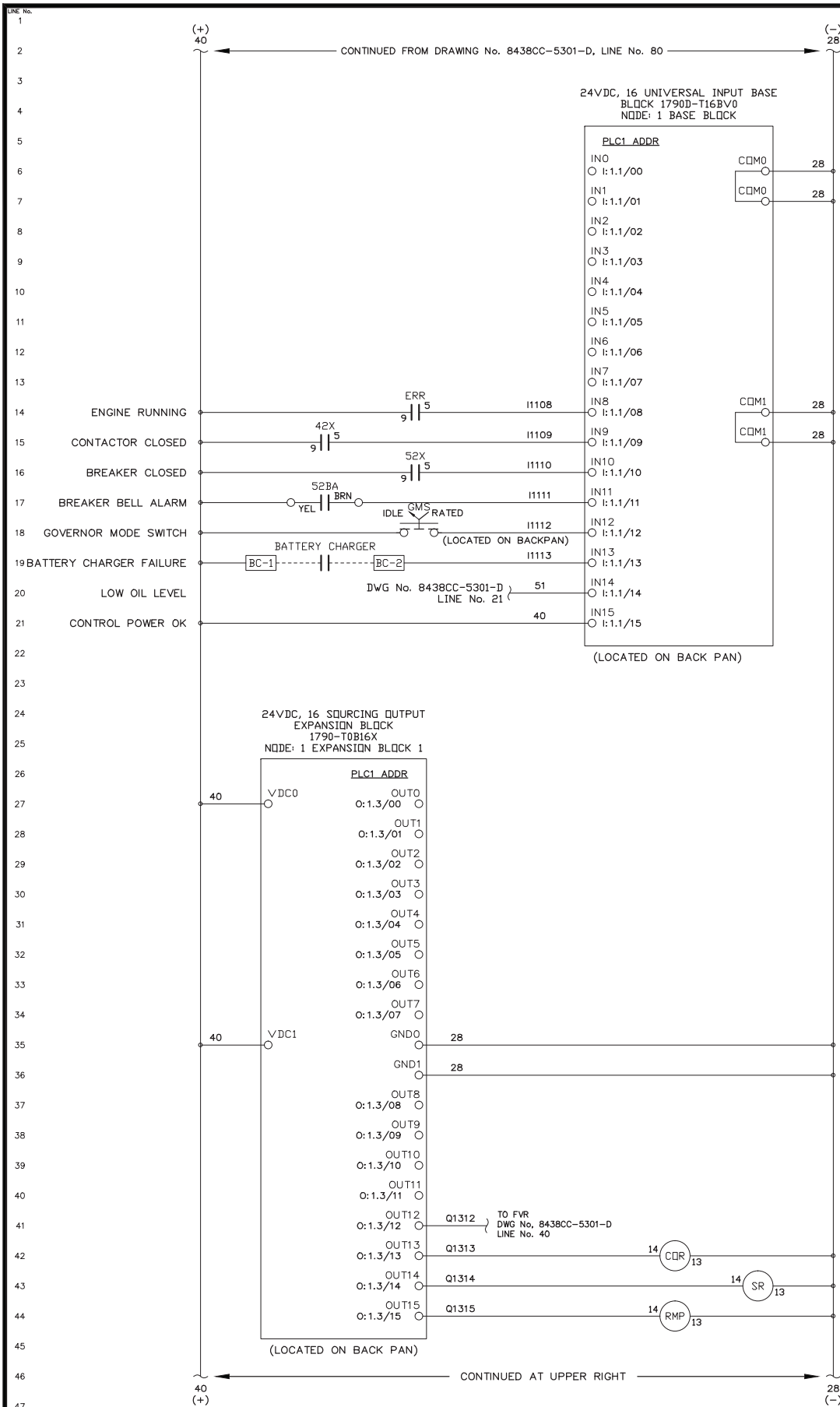
ENGINEERED & MANUFACTURED BY  
**Controlled Power, Inc.**  
 BOTHELL, WASHINGTON USA  
 (425)-485-1778 www.controlledpowerinc.com



REV.	DATE	DESCRIPTION	BY
B	09-21-16	AS BUILT	RAC
PURCHASE ORDER No. ERNIE BAUMGARTNER CONTROLLED POWER JOB No. 8438CC			
TITLE: GENERATOR 1 DC CONTROL, SCHEMATIC DIAGRAM			
SCALE: NONE	DATE: 08-23-16	DWN. BY: GPN	
DWG. No: 8438CC-5301-D	SHEET: 1 OF 1	CKD. BY: JMD	
JOB: CROOKED CREEK EASYGEN UPGRADE			

**NOTICE**  
THE DRAWINGS, INFORMATION AND SUBJECT MATTER HEREOF ARE THE CONFIDENTIAL, SOLE AND EXCLUSIVE PROPERTY OF CONTROLLED POWER, INC., AND ARE NOT TO BE COPIED, REPRODUCED OR USED IN ANY MANNER FOR ANY PURPOSE WHATSOEVER WITHOUT WRITTEN CONSENT OR DIRECTION.





REV.	DATE	DESCRIPTION	BY
B	09-21-16	AS BUILT	RAC
PURCHASE ORDER No. ERNIE BAUMGARTNER CONTROLLED POWER JOB No. 8438CC			
TITLE: GENERATOR 1 DC CONTROL, SCHEMATIC DIAGRAM			

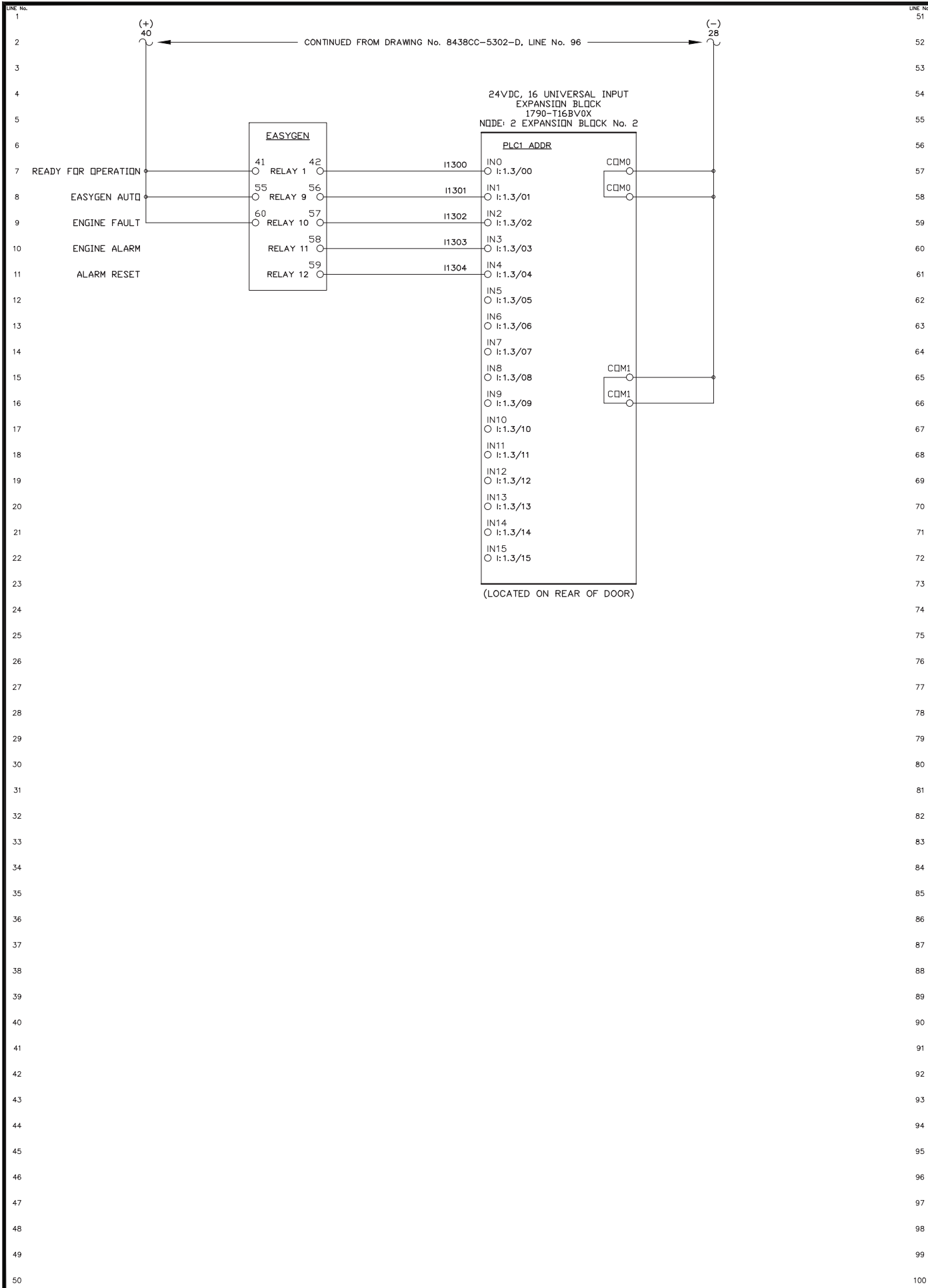
SCALE: NONE	DATE: 08-23-16	DWN. BY: GPN
DWG. No: 8438CC-5302-D	SHEET: 1 OF 1	CKD. BY: JMD

JOB: CROOKED CREEK EASYGEN UPGRADE

**NOTICE**  
THE DRAWINGS, INFORMATION AND SUBJECT MATTER HEREOF ARE THE CONFIDENTIAL, SOLE AND EXCLUSIVE PROPERTY OF CONTROLLED POWER, INC., AND ARE NOT TO BE COPIED, REPRODUCED OR USED IN ANY MANNER FOR ANY PURPOSE WHATSOEVER WITHOUT WRITTEN CONSENT OR DIRECTION.

ENGINEERED & MANUFACTURED BY  
**Controlled Power, Inc.**  
BOTHELL, WASHINGTON USA  
(425)-485-1778 www.controlledpowerinc.com





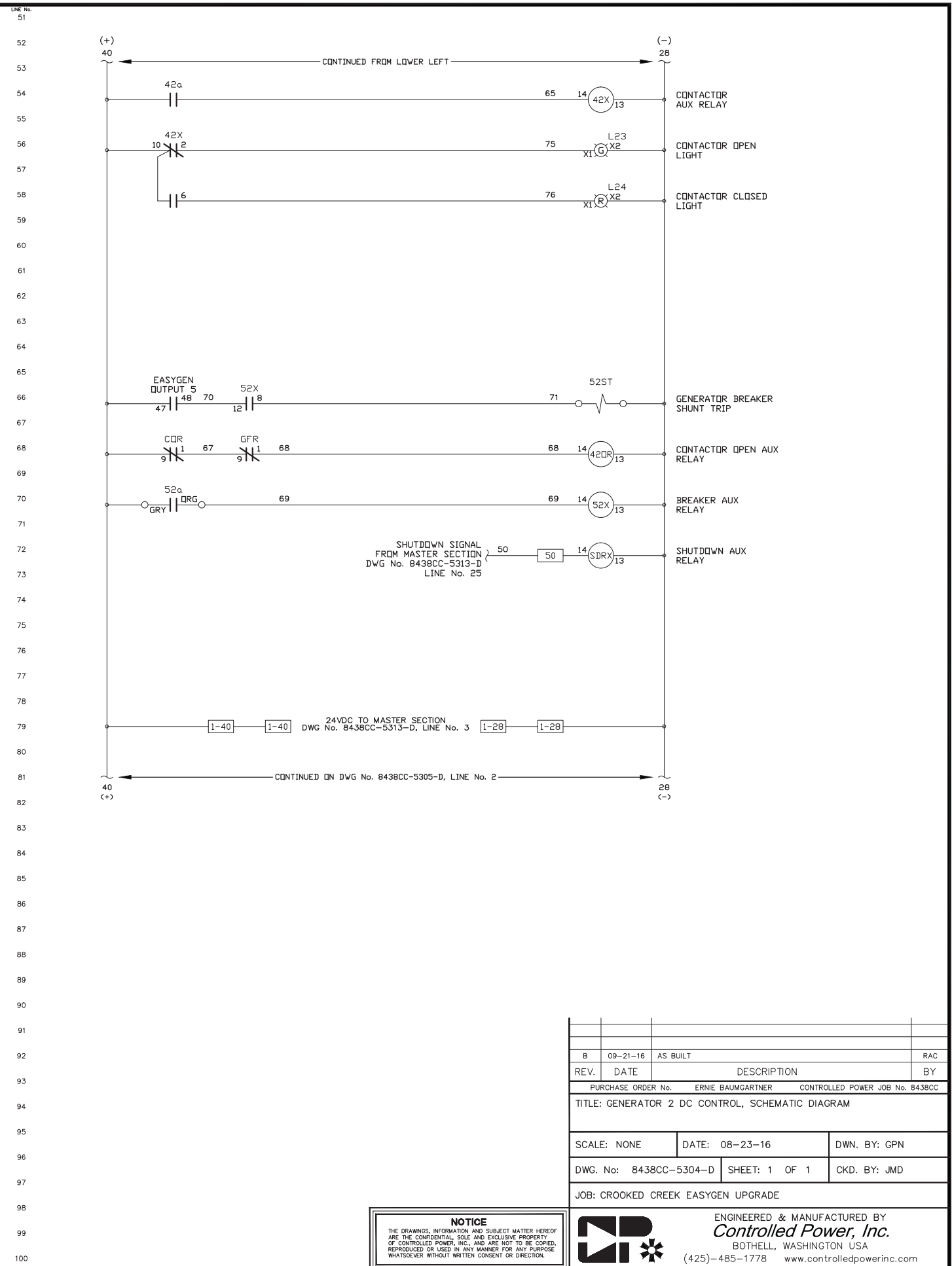
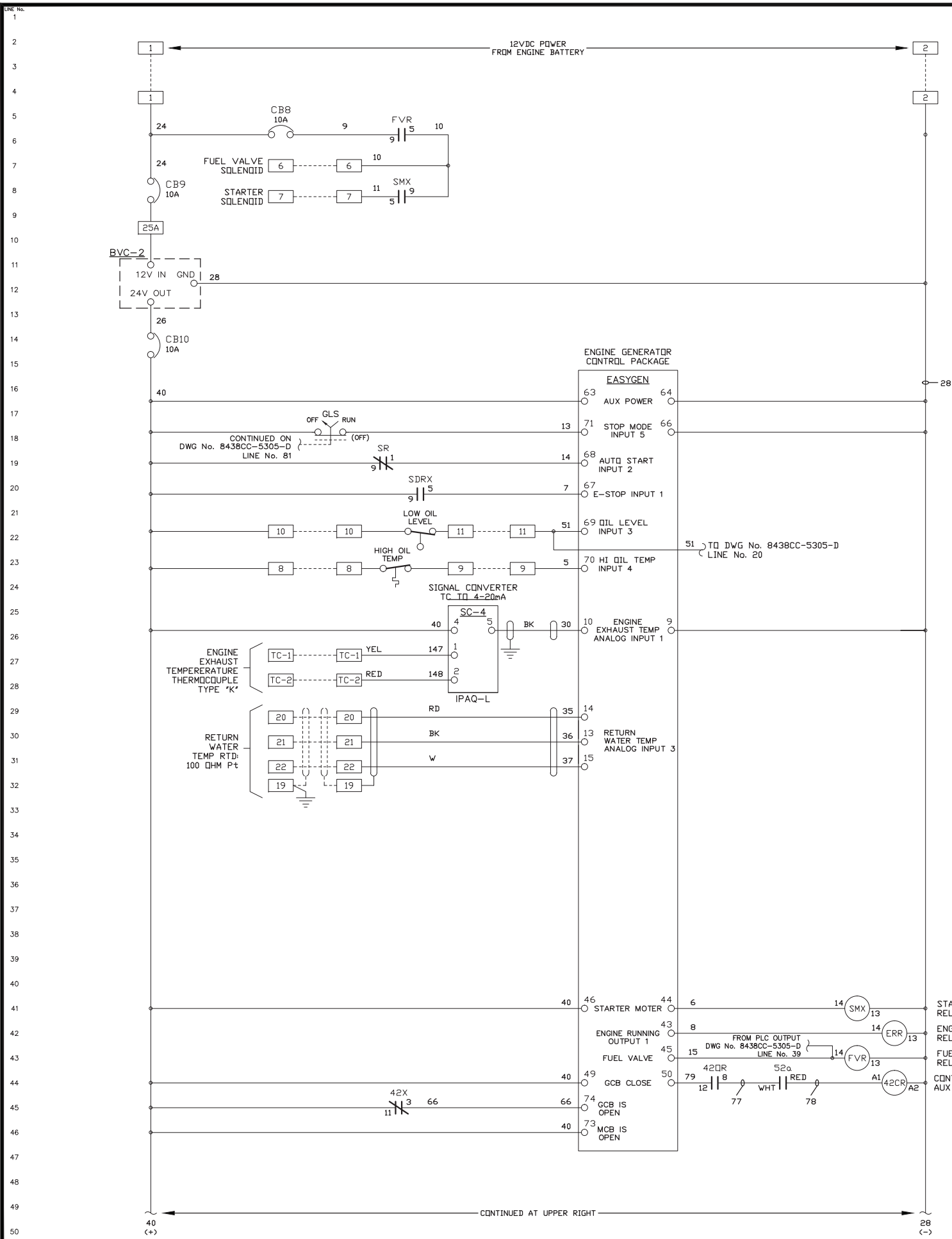
51			
52			
53			
54			
55			
56			
57			
58			
59			
60			
61			
62			
63			
64			
65			
66			
67			
68			
69			
70			
71			
72			
73			
74			
75			
76			
77			
78			
79			
80			
81			
82			
83			
84			
85			
86			
87			
88			
89			
90			
91			
92			
93			
94			
95			
96			
97			
98			
99			
100			

REV.	DATE	DESCRIPTION	BY
B	09-21-16	AS BUILT	RAC
PURCHASE ORDER No. ERNIE BAUMGARTNER CONTROLLED POWER JOB No. 8438CC			
TITLE: GENERATOR 1 DC CONTROL, SCHEMATIC DIAGRAM			
SCALE: NONE	DATE: 08-23-16	DWN. BY: GPN	
DWG. No: 8438CC-5303-D	SHEET: 1 OF 1	CKD. BY: JMD	
JOB: CROOKED CREEK EASYGEN UPGRADE			

**NOTICE**  
THE DRAWINGS, INFORMATION AND SUBJECT MATTER HEREOF ARE THE CONFIDENTIAL, SOLE AND EXCLUSIVE PROPERTY OF CONTROLLED POWER, INC., AND ARE NOT TO BE COPIED, REPRODUCED OR USED IN ANY MANNER FOR ANY PURPOSE WHATSOEVER WITHOUT WRITTEN CONSENT OR DIRECTION.



ENGINEERED & MANUFACTURED BY  
**Controlled Power, Inc.**  
BOTHELL, WASHINGTON USA  
(425)-485-1778 www.controlledpowerinc.com



**NOTICE**  
 THE DRAWINGS, INFORMATION AND SUBJECT MATTER HEREOF ARE THE CONFIDENTIAL, SOLE AND EXCLUSIVE PROPERTY OF CONTROLLED POWER, INC., AND ARE NOT TO BE COPIED, REPRODUCED OR USED IN ANY MANNER FOR ANY PURPOSE WHATSOEVER WITHOUT WRITTEN CONSENT OR DIRECTION.



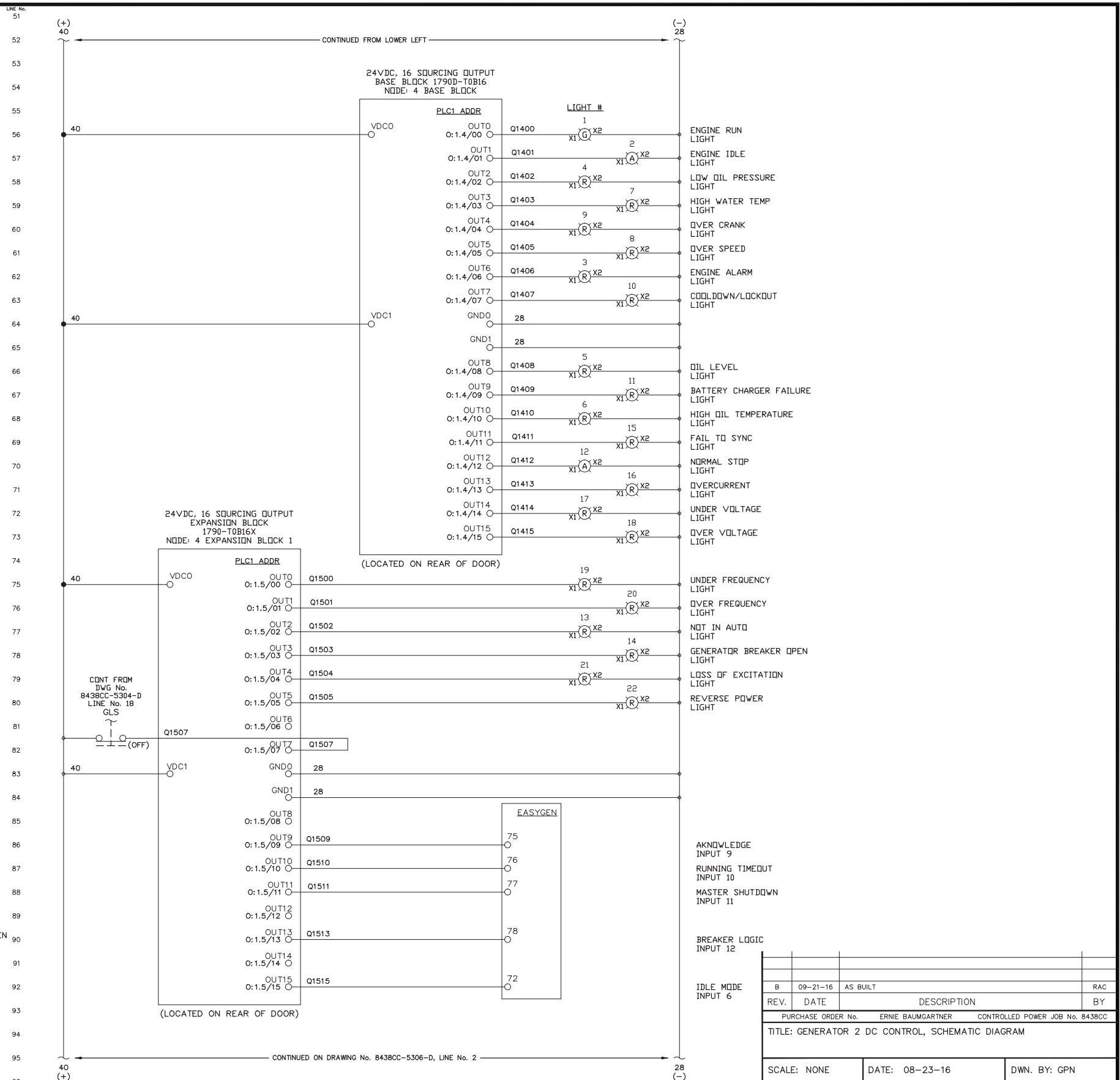
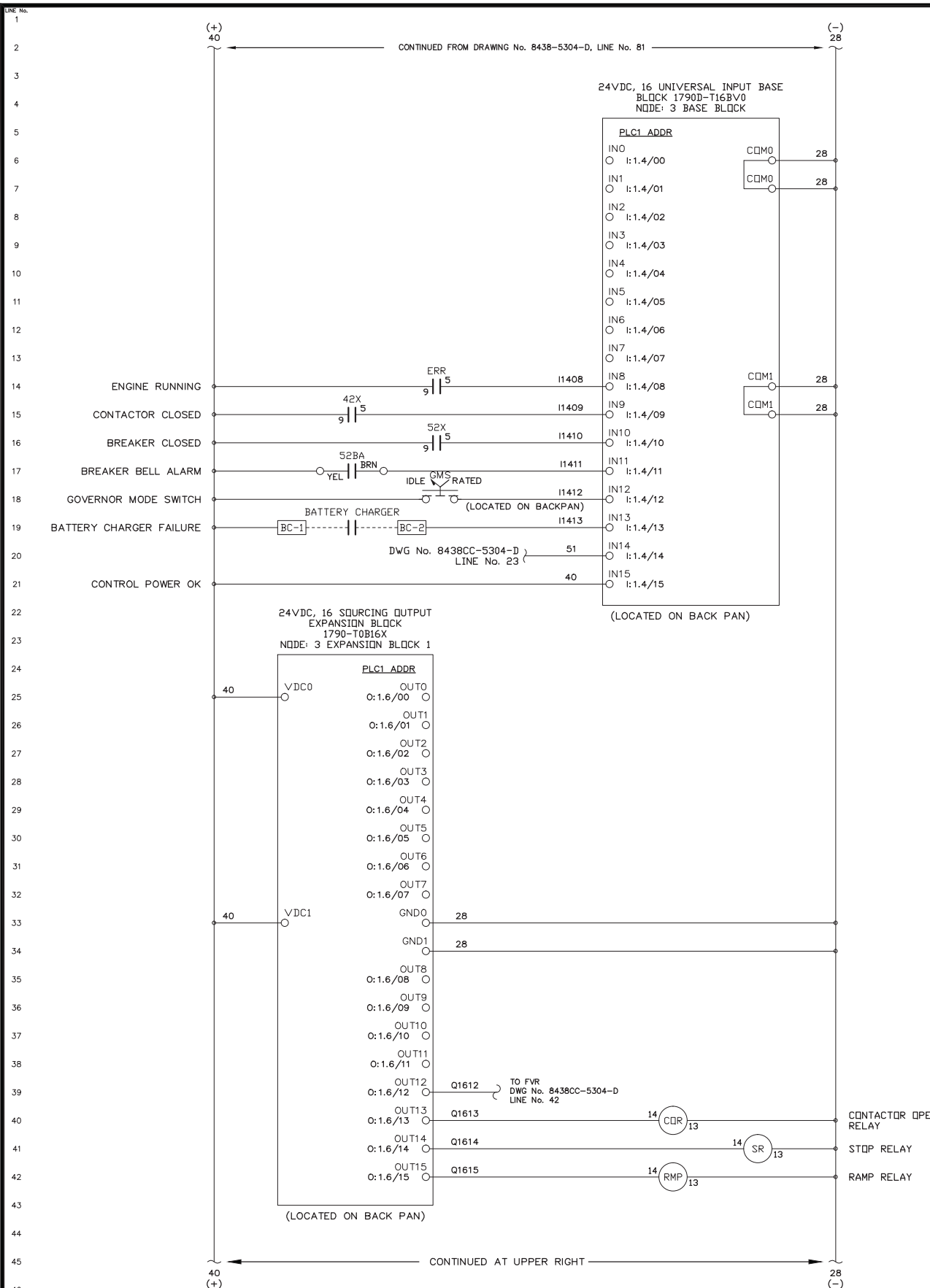
ENGINEERED & MANUFACTURED BY  
**Controlled Power, Inc.**  
 BOTHELL, WASHINGTON USA  
 (425)-485-1778 www.controlledpowerinc.com

REV.	DATE	DESCRIPTION	BY
B	09-21-16	AS BUILT	RAC

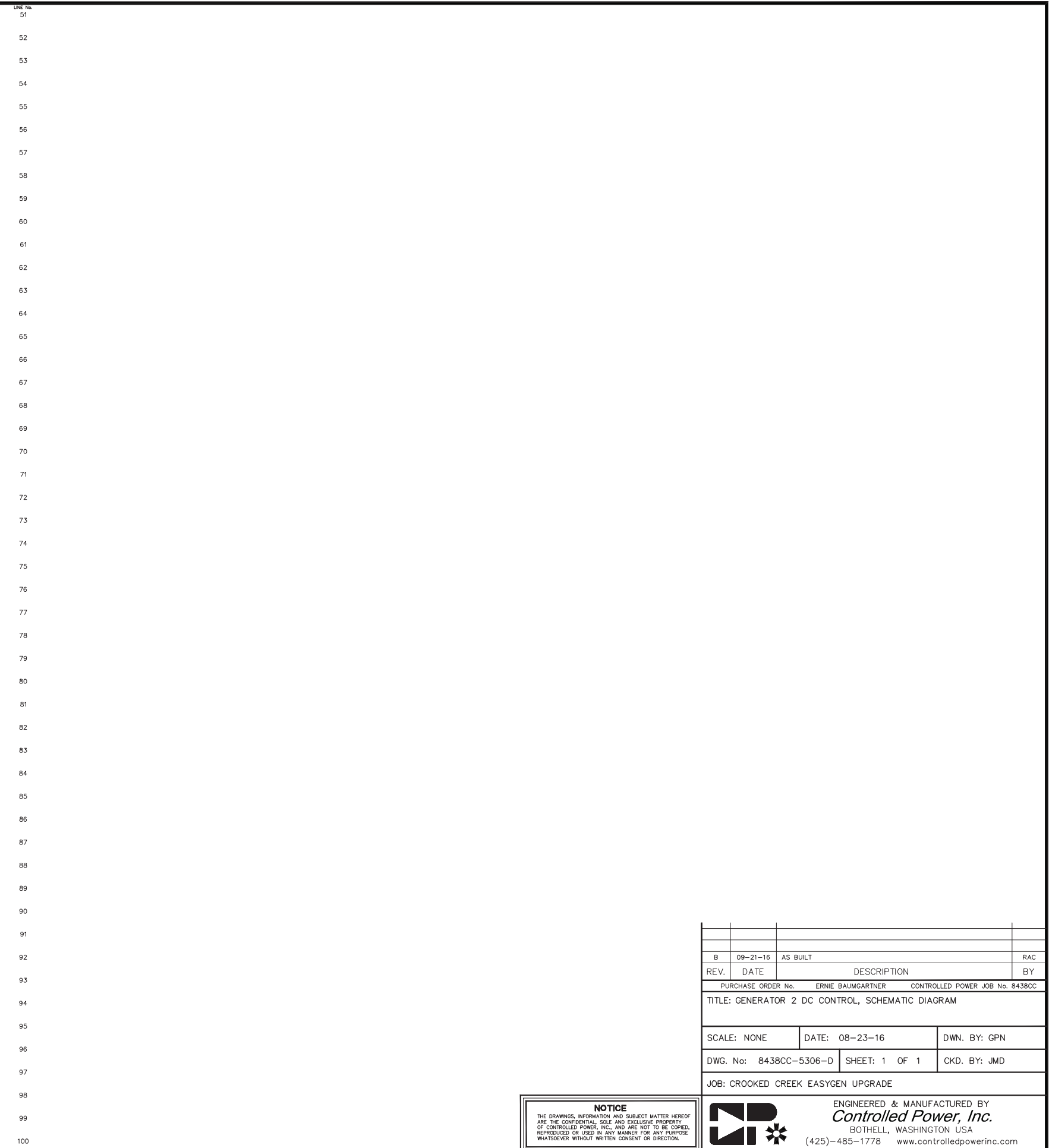
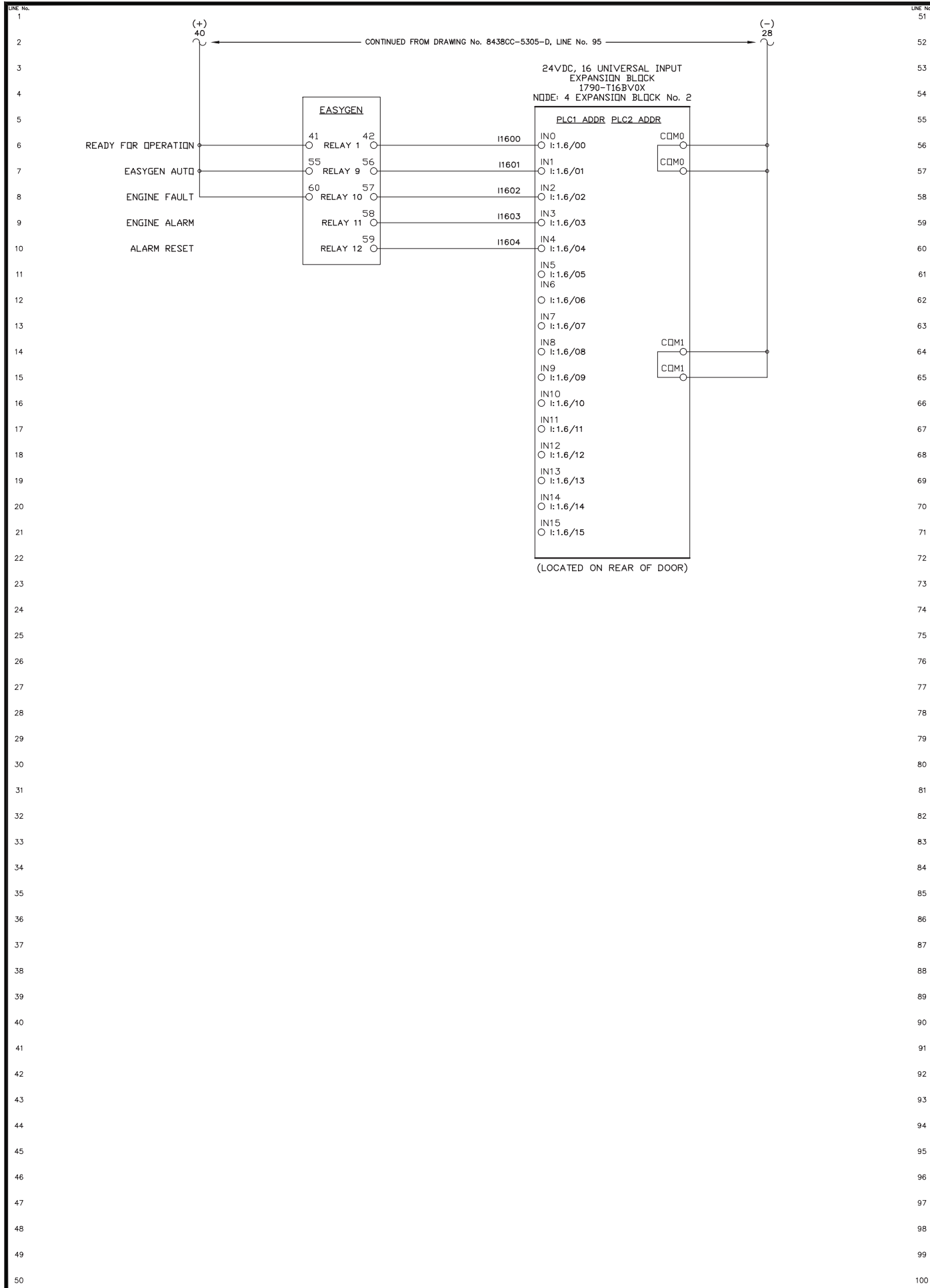
PURCHASE ORDER No. ERNIE BAUMGARTNER CONTROLLED POWER JOB No. 8438CC

TITLE: GENERATOR 2 DC CONTROL, SCHEMATIC DIAGRAM

SCALE: NONE	DATE: 08-23-16	DWN. BY: GPN
DWG. No: 8438CC-5304-D	SHEET: 1 OF 1	CKD. BY: JMD
JOB: CROOKED CREEK EASYGEN UPGRADE		



REV.	DATE	DESCRIPTION	BY
B	09-21-16	AS BUILT	RAC
PURCHASE ORDER No. ERNIE BAUMGARTNER CONTROLLED POWER JOB No. 8438CC			
TITLE: GENERATOR 2 DC CONTROL, SCHEMATIC DIAGRAM			
SCALE: NONE	DATE: 08-23-16	DWN. BY: GPN	
DWG. No: 8438CC-5305-D	SHEET: 1 OF 1	CKD. BY: JMD	
JOB: CROOKED CREEK EASYGEN UPGRADE			

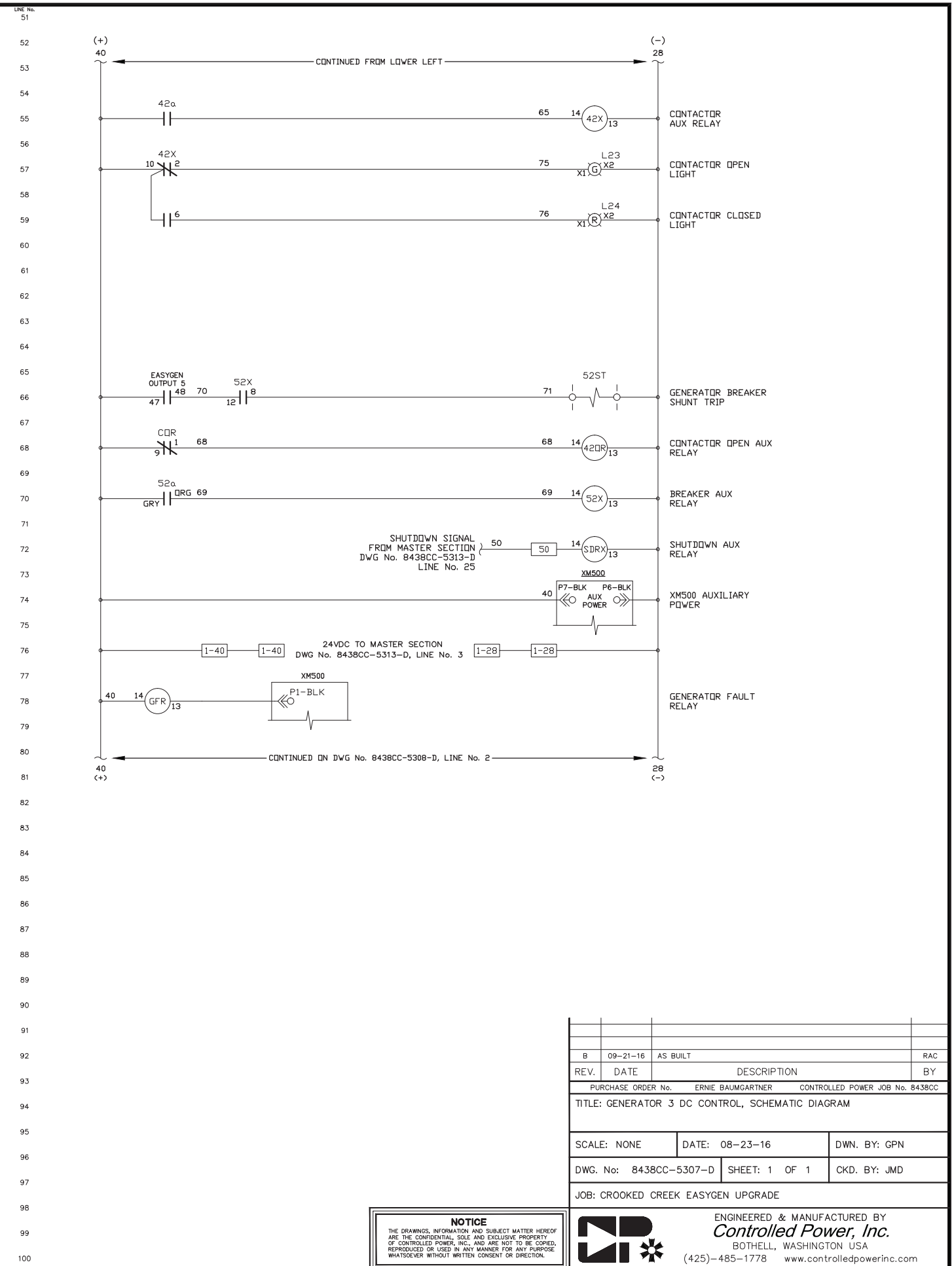
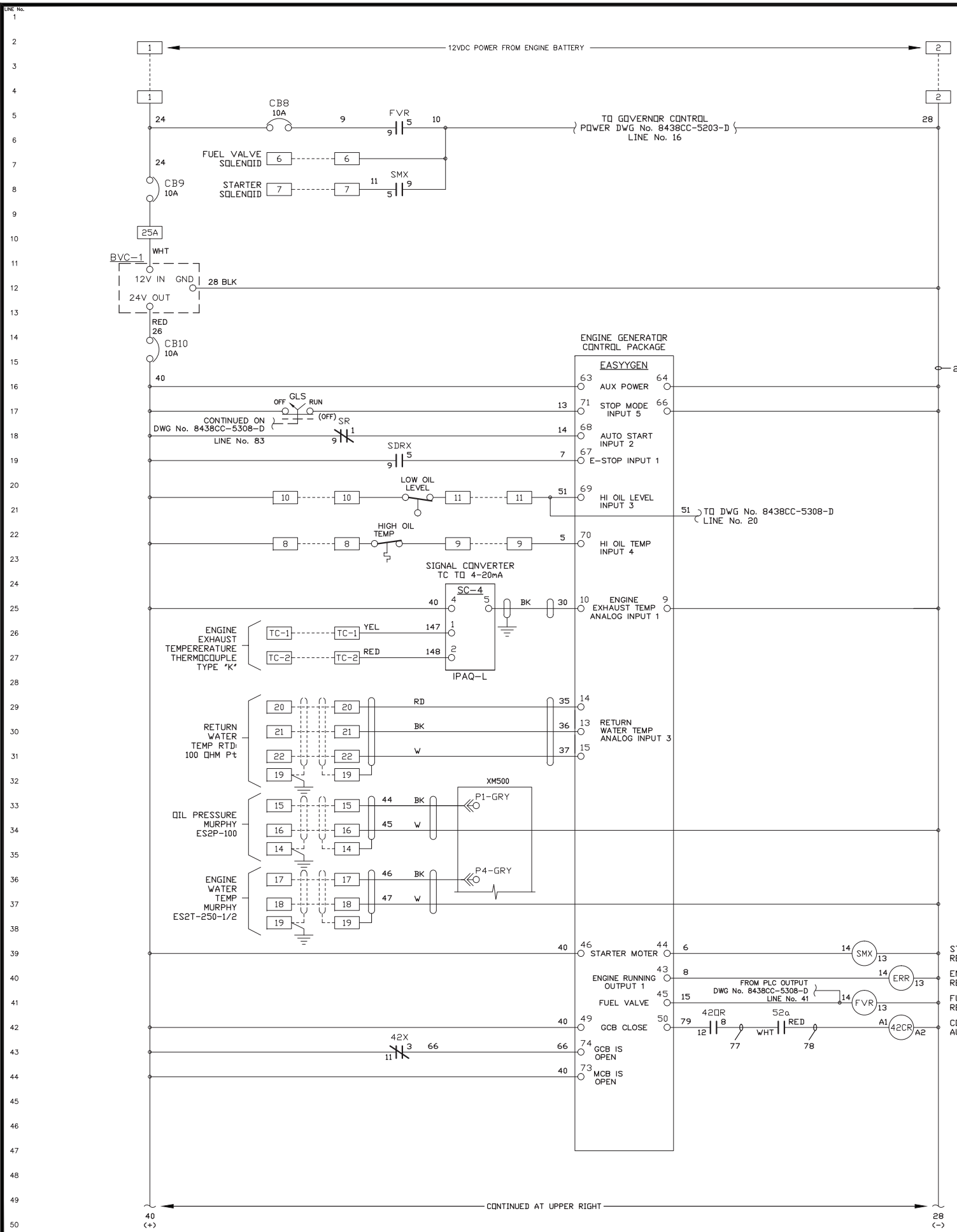


REV.	DATE	DESCRIPTION	BY
B	09-21-16	AS BUILT	RAC
PURCHASE ORDER No. ERNIE BAUMGARTNER CONTROLLED POWER JOB No. 8438CC			
TITLE: GENERATOR 2 DC CONTROL, SCHEMATIC DIAGRAM			
SCALE: NONE	DATE: 08-23-16	DWN. BY: GPN	
DWG. No: 8438CC-5306-D	SHEET: 1 OF 1	CKD. BY: JMD	
JOB: CROOKED CREEK EASYGEN UPGRADE			

**NOTICE**  
THE DRAWINGS, INFORMATION AND SUBJECT MATTER HEREOF ARE THE CONFIDENTIAL, SOLE AND EXCLUSIVE PROPERTY OF CONTROLLED POWER, INC., AND ARE NOT TO BE COPIED, REPRODUCED OR USED IN ANY MANNER FOR ANY PURPOSE WHATSOEVER WITHOUT WRITTEN CONSENT OR DIRECTION.



ENGINEERED & MANUFACTURED BY  
**Controlled Power, Inc.**  
BOTHELL, WASHINGTON USA  
(425)-485-1778 www.controlledpowerinc.com



REV.	DATE	DESCRIPTION	BY
B	09-21-16	AS BUILT	RAC

PURCHASE ORDER No. ERNIE BAUMGARTNER CONTROLLED POWER JOB No. 8438CC

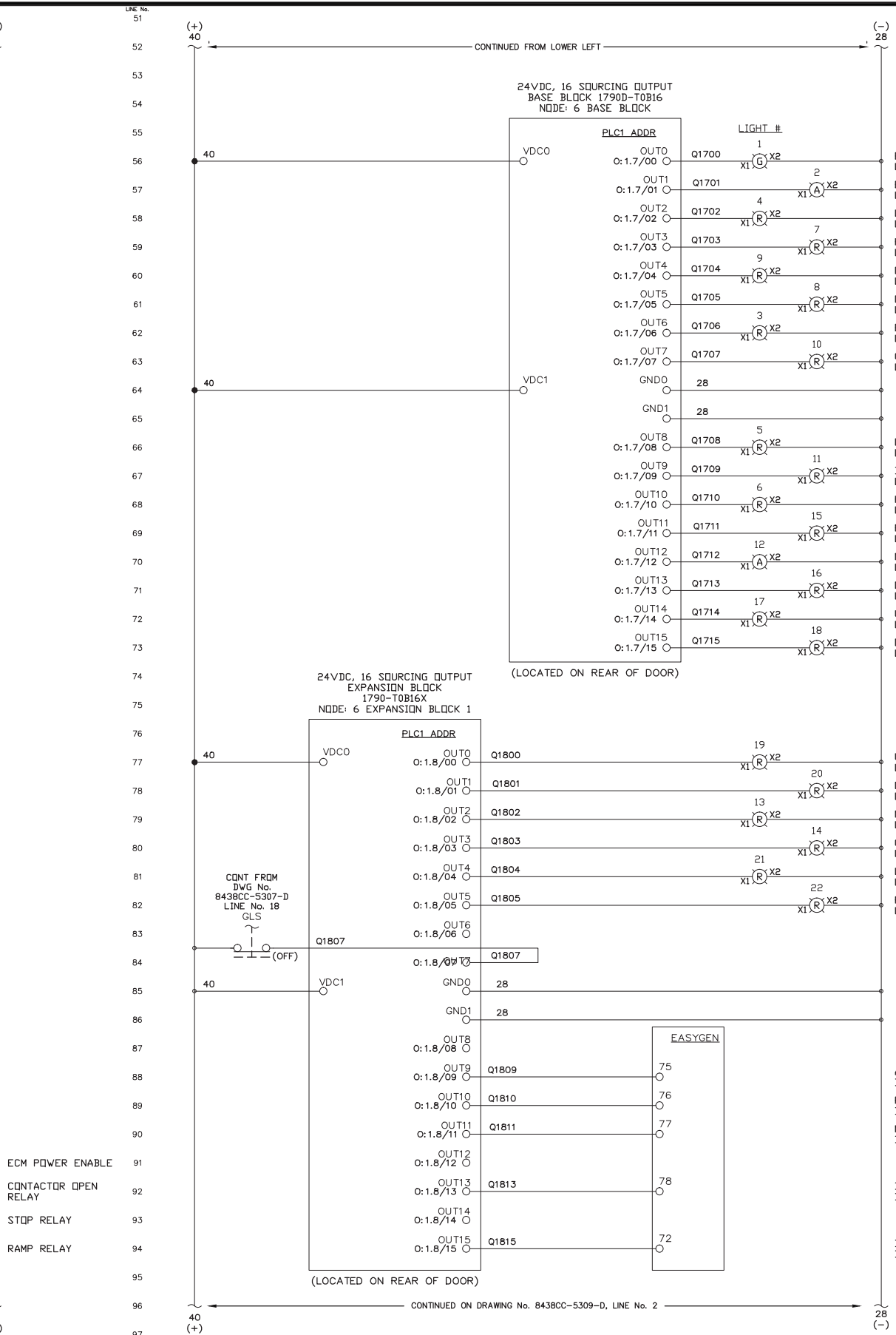
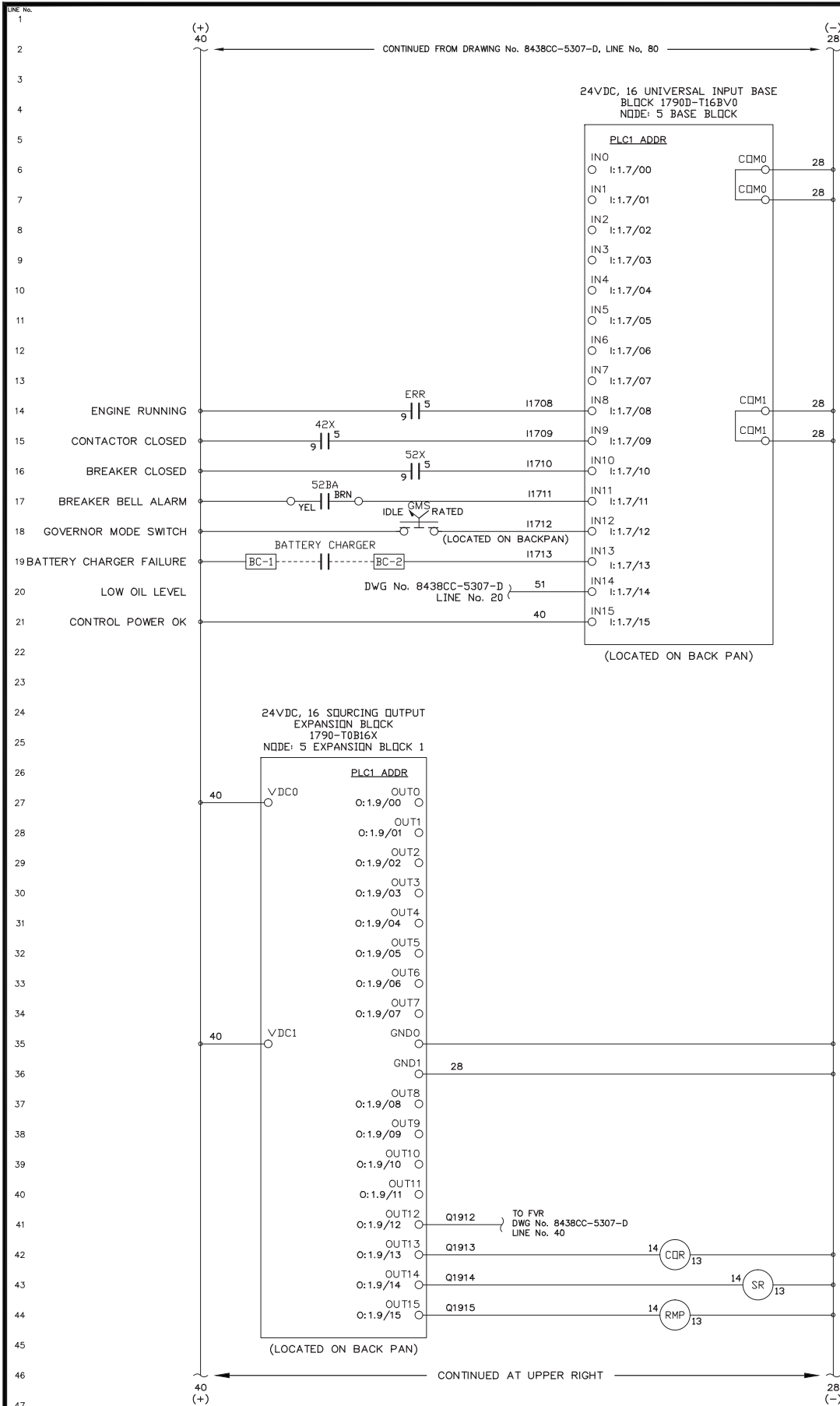
TITLE: GENERATOR 3 DC CONTROL, SCHEMATIC DIAGRAM

SCALE: NONE	DATE: 08-23-16	DWN. BY: GPN
DWG. No: 8438CC-5307-D	SHEET: 1 OF 1	CKD. BY: JMD

JOB: CROOKED CREEK EASYGEN UPGRADE

**NOTICE**  
 THE DRAWINGS, INFORMATION AND SUBJECT MATTER HEREOF ARE THE CONFIDENTIAL, SOLE AND EXCLUSIVE PROPERTY OF CONTROLLED POWER, INC., AND ARE NOT TO BE COPIED, REPRODUCED OR USED IN ANY MANNER FOR ANY PURPOSE WHATSOEVER WITHOUT WRITTEN CONSENT OR DIRECTION.

ENGINEERED & MANUFACTURED BY  
**Controlled Power, Inc.**  
 BOTHELL, WASHINGTON USA  
 (425)-485-1778 www.controlledpowerinc.com



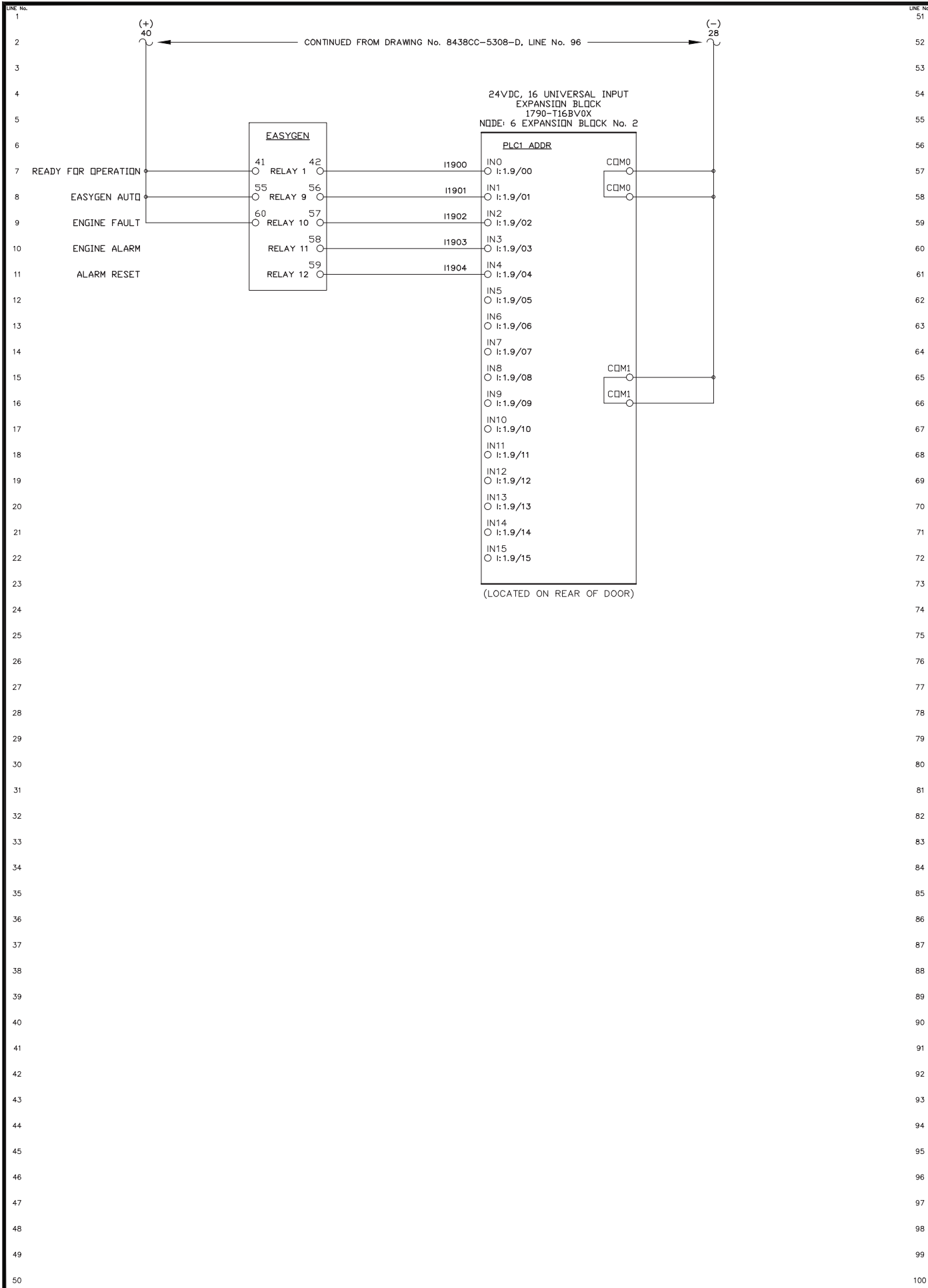
REV.	DATE	DESCRIPTION	BY
B	09-21-16	AS BUILT	RAC
PURCHASE ORDER No. ERNIE BAUMGARTNER CONTROLLED POWER JOB No. 8438CC			
TITLE: GENERATOR 3 DC CONTROL, SCHEMATIC DIAGRAM			

SCALE: NONE	DATE: 08-23-16	DWN. BY: GPN
DWG. No: 8438CC-5308-D	SHEET: 1 OF 1	CKD. BY: JMD
JOB: CROOKED CREEK EASYGEN UPGRADE		

**NOTICE**  
 THE DRAWINGS, INFORMATION AND SUBJECT MATTER HEREOF ARE THE CONFIDENTIAL, SOLE AND EXCLUSIVE PROPERTY OF CONTROLLED POWER, INC., AND ARE NOT TO BE COPIED, REPRODUCED OR USED IN ANY MANNER FOR ANY PURPOSE WHATSOEVER WITHOUT WRITTEN CONSENT OR DIRECTION.



ENGINEERED & MANUFACTURED BY  
**Controlled Power, Inc.**  
 BOTHELL, WASHINGTON USA  
 (425)-485-1778 www.controlledpowerinc.com



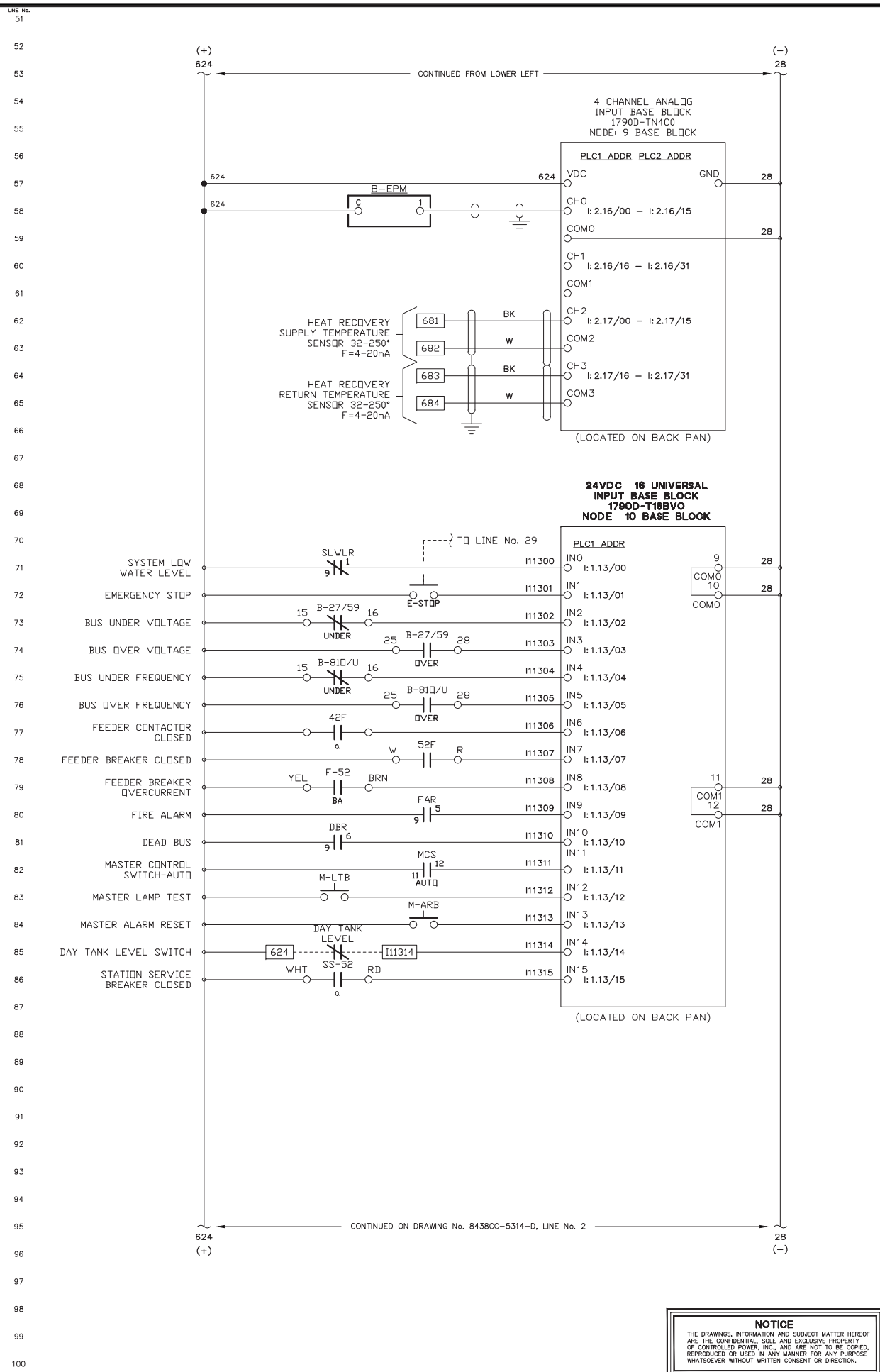
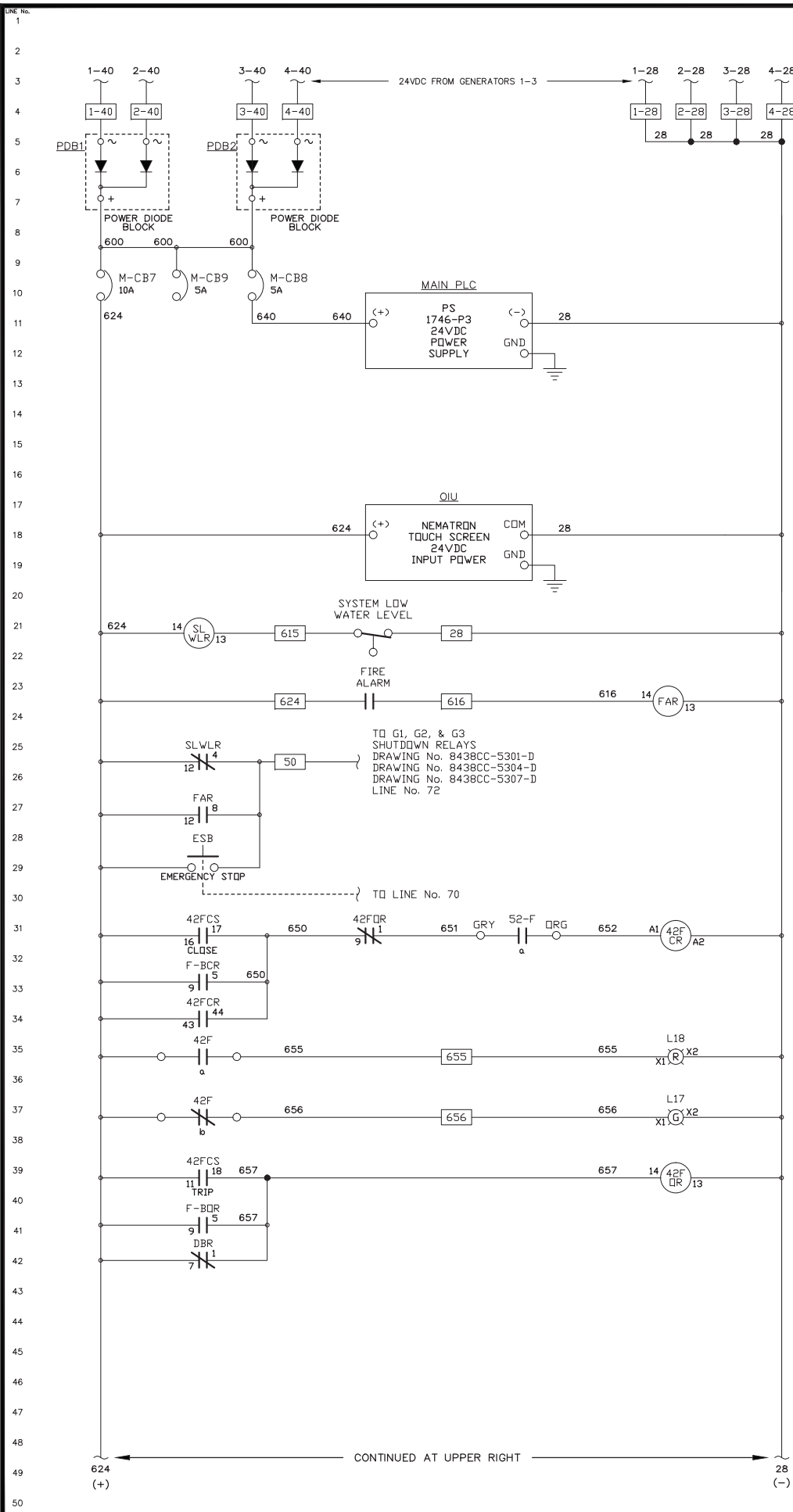
51	
52	
53	
54	
55	
56	
57	
58	
59	
60	
61	
62	
63	
64	
65	
66	
67	
68	
69	
70	
71	
72	
73	
74	
75	
76	
77	
78	
79	
80	
81	
82	
83	
84	
85	
86	
87	
88	
89	
90	
91	
92	
93	
94	
95	
96	
97	
98	
99	
100	

B	09-21-16	AS BUILT	RAC
REV.	DATE	DESCRIPTION	BY
PURCHASE ORDER No. ERNIE BAUMGARTNER CONTROLLED POWER JOB No. 8438CC			
TITLE: GENERATOR 3 DC CONTROL, SCHEMATIC DIAGRAM			
SCALE: NONE	DATE: 08-23-16	DWN. BY: GPN	
DWG. No: 8438CC-5309-D	SHEET: 1 OF 1	CKD. BY: JMD	
JOB: CROOKED CREEK EASYGEN UPGRADE			

**NOTICE**  
THE DRAWINGS, INFORMATION AND SUBJECT MATTER HEREOF ARE THE CONFIDENTIAL, SOLE AND EXCLUSIVE PROPERTY OF CONTROLLED POWER, INC., AND ARE NOT TO BE COPIED, REPRODUCED OR USED IN ANY MANNER FOR ANY PURPOSE WHATSOEVER WITHOUT WRITTEN CONSENT OR DIRECTION.



ENGINEERED & MANUFACTURED BY  
**Controlled Power, Inc.**  
BOTHELL, WASHINGTON USA  
(425)-485-1778 www.controlledpowerinc.com

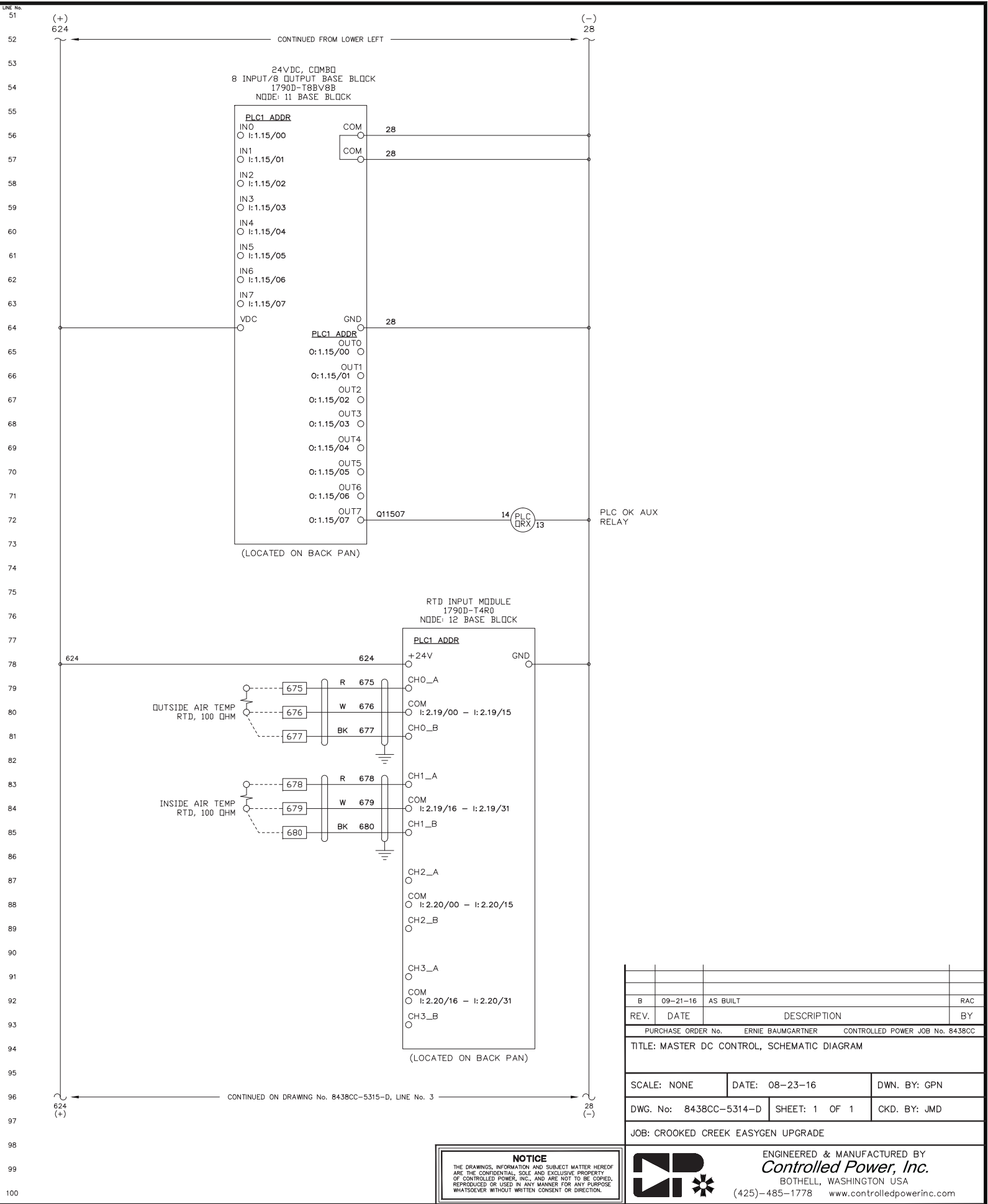
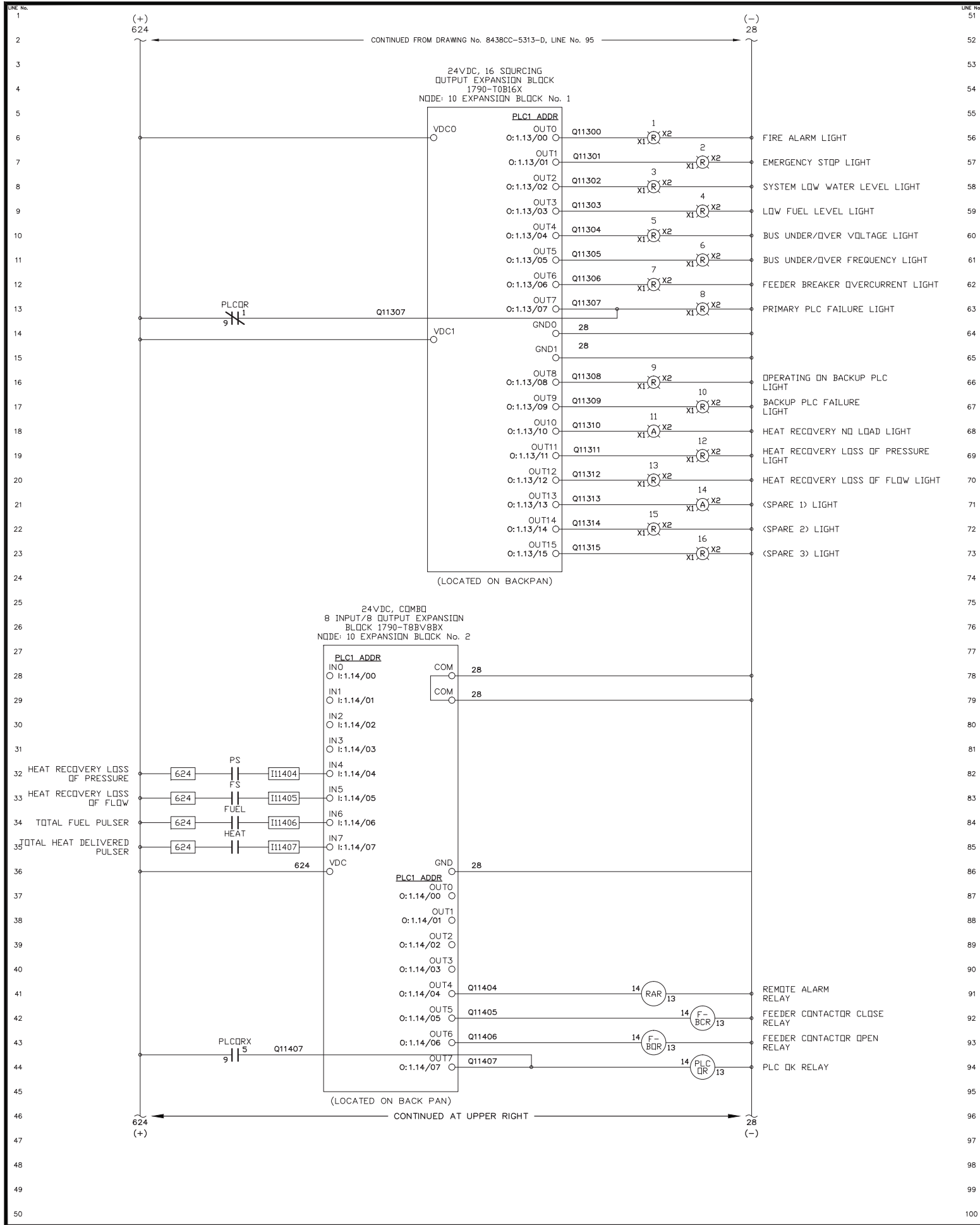


REV.	DATE	DESCRIPTION	BY
B	09-21-16	AS BUILT	RAC
PURCHASE ORDER No. ERNIE BAUMGARTNER CONTROLLED POWER JOB No. 8438CC			
TITLE: MASTER DC CONTROL, SCHEMATIC DIAGRAM			
SCALE: NONE	DATE: 08-23-16	DWN. BY: GPN	
DWG. No: 8438CC-5313-D	SHEET: 1 OF 1	CKD. BY: JMD	
JOB: CROOKED CREEK EASYGEN UPGRADE			

**NOTICE**  
THE DRAWINGS, INFORMATION AND SUBJECT MATTER HEREOF ARE THE CONFIDENTIAL, SOLE AND EXCLUSIVE PROPERTY OF CONTROLLED POWER, INC., AND ARE NOT TO BE COPIED, REPRODUCED OR USED IN ANY MANNER FOR ANY PURPOSE WHATSOEVER WITHOUT WRITTEN CONSENT OR DIRECTION.

ENGINEERED & MANUFACTURED BY  
**Controlled Power, Inc.**  
BOTHELL, WASHINGTON USA  
(425)-485-1778 www.controlledpowerinc.com

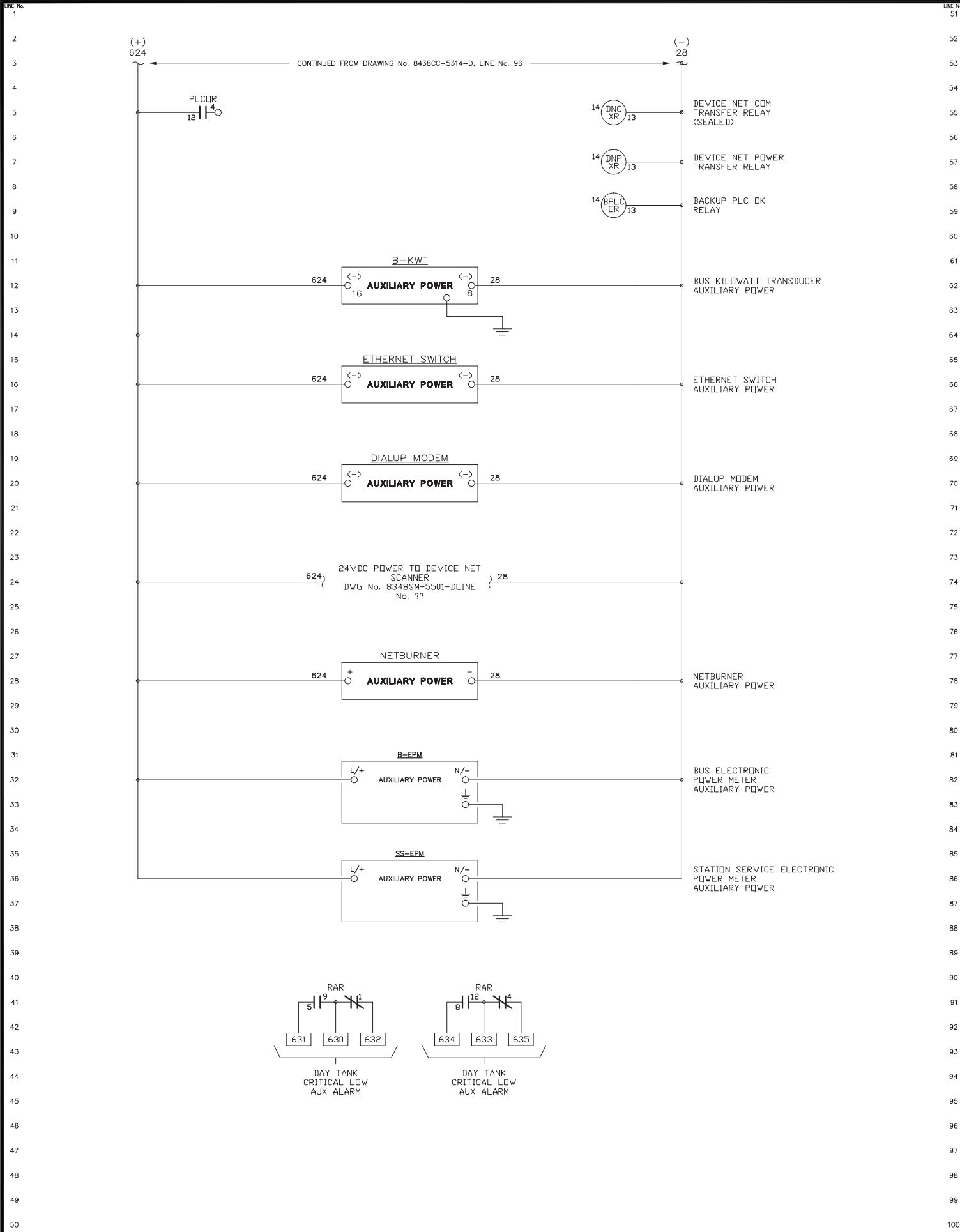




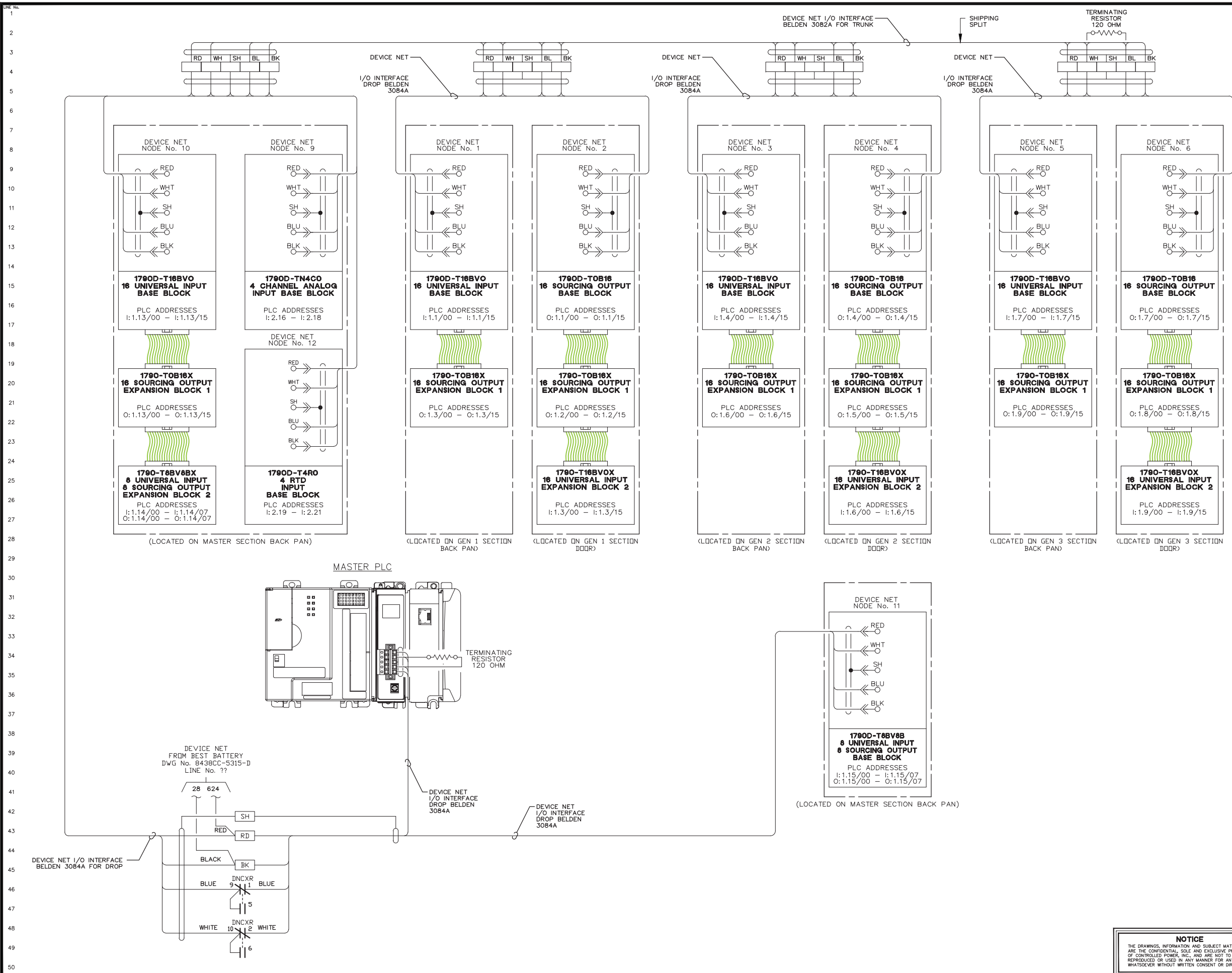
REV.	DATE	DESCRIPTION	BY
B	09-21-16	AS BUILT	RAC
PURCHASE ORDER No. ERNIE BAUMGARTNER CONTROLLED POWER JOB No. 8438CC			
TITLE: MASTER DC CONTROL, SCHEMATIC DIAGRAM			
SCALE: NONE	DATE: 08-23-16	DWN. BY: GPN	
DWG. No: 8438CC-5314-D	SHEET: 1 OF 1	CKD. BY: JMD	
JOB: CROOKED CREEK EASYGEN UPGRADE			

**NOTICE**  
THE DRAWINGS, INFORMATION AND SUBJECT MATTER HEREOF ARE THE CONFIDENTIAL, SOLE AND EXCLUSIVE PROPERTY OF CONTROLLED POWER, INC., AND ARE NOT TO BE COPIED, REPRODUCED OR USED IN ANY MANNER FOR ANY PURPOSE WHATSOEVER WITHOUT WRITTEN CONSENT OR DIRECTION.





LINE No.	51	52	53	54	55	56	57	58	59	60	61	62	63	64	65	66	67	68	69	70	71	72	73	74	75	76	77	78	79	80	81	82	83	84	85	86	87	88	89	90	91	92	93	94	95	96	97	98	99	100
TITLE: MASTER DC CONTROL, SCHEMATIC DIAGRAM		PURCHASE ORDER No. ERNIE BAUMGARTNER CONTROLLED POWER JOB No. 8438CC		SCALE: NONE		DATE: 08-23-16		DWN. BY: GPN		DWG. No: 8438CC-5315-D		SHEET: 1 OF 1		CKD. BY: JMD		JOB: CROOKED CREEK EASYGEN UPGRADE		<p><b>NOTICE</b></p> <p>THE DRAWINGS, INFORMATION AND SUBJECT MATTER HEREOF ARE THE CONFIDENTIAL, SOLE AND EXCLUSIVE PROPERTY OF CONTROLLED POWER, INC., AND ARE NOT TO BE COPIED, REPRODUCED OR USED IN ANY MANNER FOR ANY PURPOSE WHATSOEVER WITHOUT WRITTEN CONSENT OR DIRECTION.</p>		<p>ENGINEERED &amp; MANUFACTURED BY <b>Controlled Power, Inc.</b> BOTHELL, WASHINGTON USA (425)-485-1778 www.controlledpowerinc.com</p>																														



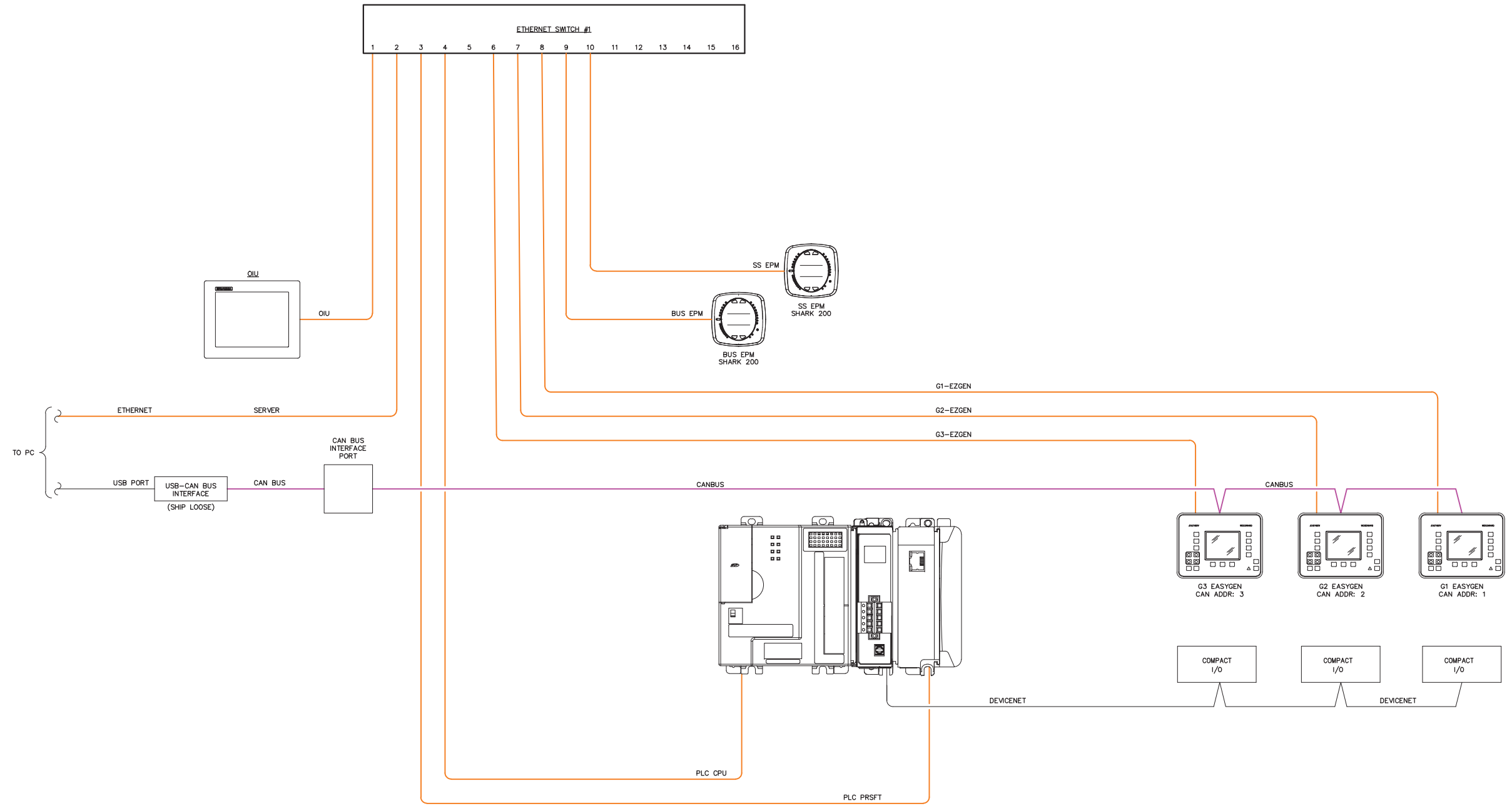
REV.	DATE	DESCRIPTION	RAC
B	09-21-16	AS BUILT	
REV.	DATE	DESCRIPTION	BY
PURCHASE ORDER No. ERNIE BAUMGARTNER CONTROLLED POWER JOB No. 8438CC			
TITLE: PLC COMMUNICATION DIAGRAM			
SCALE: NONE	DATE: 08-23-16	DWN. BY: GPN	
DWG. No: 8438CC-5501-D	SHEET: 1 OF 1	CKD. BY: JMD	
JOB: CROOKED CREEK EASYGEN UPGRADE			

**NOTICE**  
 THE DRAWINGS, INFORMATION AND SUBJECT MATTER HEREOF ARE THE CONFIDENTIAL, SOLE AND EXCLUSIVE PROPERTY OF CONTROLLED POWER, INC., AND ARE NOT TO BE COPIED, REPRODUCED OR USED IN ANY MANNER FOR ANY PURPOSE WHATSOEVER WITHOUT WRITTEN CONSENT OR DIRECTION.

ENGINEERED & MANUFACTURED BY  
**Controlled Power, Inc.**  
 BOTHELL, WASHINGTON USA  
 (425)-485-1778 www.controlleddpowerinc.com

LINE No.  
1  
2  
3  
4  
5  
6  
7  
8  
9  
10  
11  
12  
13  
14  
15  
16  
17  
18  
19  
20  
21  
22  
23  
24  
25  
26  
27  
28  
29  
30  
31  
32  
33  
34  
35  
36  
37  
38  
39  
40  
41  
42  
43  
44  
45  
46  
47  
48  
49  
50

DEVICE	IP ADDRESS
SERVER	192.168.1.142
OIU	192.168.1.182
PLC CPU	192.168.1.183
PLC PROSOFT	192.168.1.187
BUS EPM	192.168.1.190
SS EPM	192.168.1.191
G1 EZGEN	192.168.1.161
G2 EZGEN	192.168.1.162
G3 EZGEN	192.168.1.163



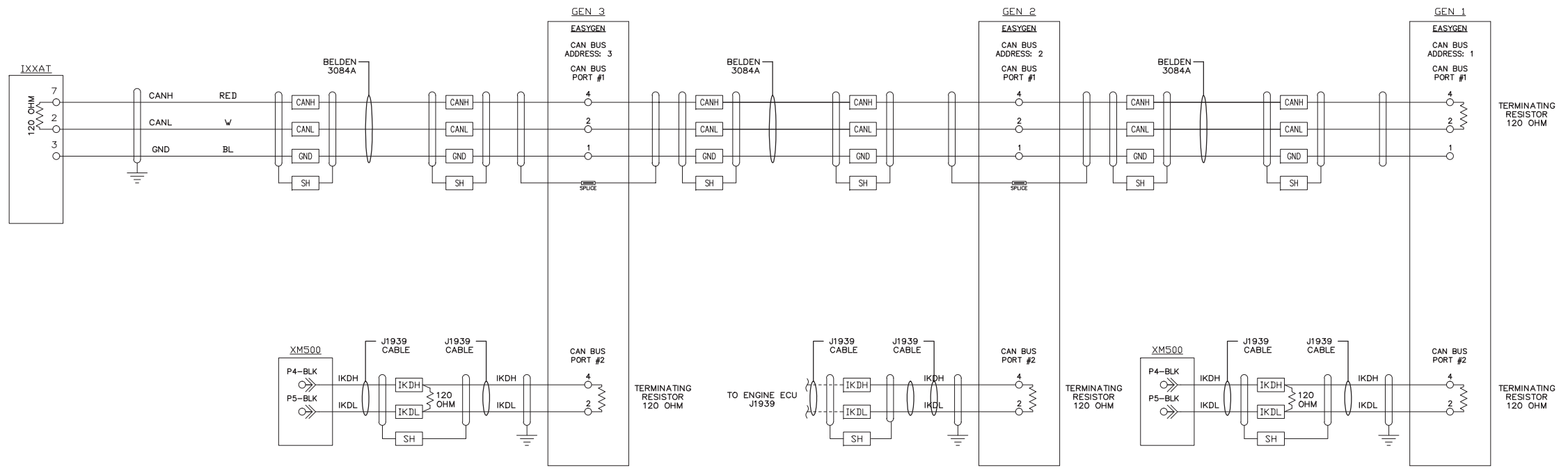
REV.	DATE	DESCRIPTION	BY
B	09-21-16	AS BUILT	RAC
PURCHASE ORDER No. ERNIE BAUMGARTNER CONTROLLED POWER JOB No. 8438CC			
TITLE: COMMUNICATION NETWORK DIAGRAM			
SCALE: NONE	DATE: 08-23-16	DWN. BY: GPN	
DWG. No: 8438CC-5601-D	SHEET: 1 OF 1	CKD. BY: JMD	
JOB: CROOKED CREEK EASYGEN UPGRADE			

**NOTICE**  
THE DRAWINGS, INFORMATION AND SUBJECT MATTER HEREOF ARE THE CONFIDENTIAL, SOLE AND EXCLUSIVE PROPERTY OF CONTROLLED POWER, INC., AND ARE NOT TO BE COPIED, REPRODUCED OR USED IN ANY MANNER FOR ANY PURPOSE WHATSOEVER WITHOUT WRITTEN CONSENT OR DIRECTION.



ENGINEERED & MANUFACTURED BY  
**Controlled Power, Inc.**  
BOTHELL, WASHINGTON USA  
(425)-485-1778 www.controlledpowerinc.com

LINE No.  
1  
2  
3  
4  
5  
6  
7  
8  
9  
10  
11  
12  
13  
14  
15  
16  
17  
18  
19  
20  
21  
22  
23  
24  
25  
26  
27  
28  
29  
30  
31  
32  
33  
34  
35  
36  
37  
38  
39  
40  
41  
42  
43  
44  
45  
46  
47  
48  
49  
50



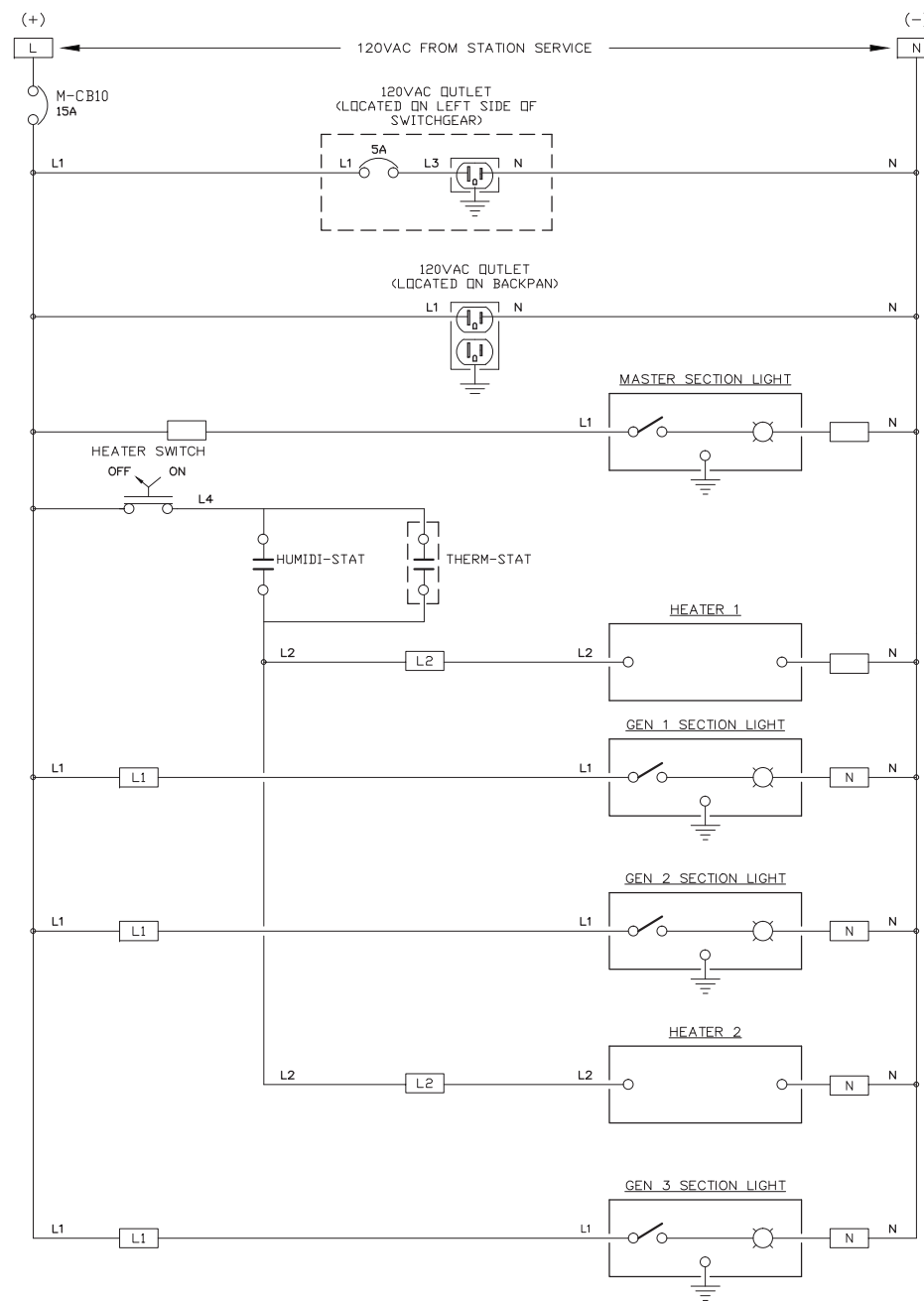
REV.	DATE	DESCRIPTION	BY
B	09-21-16	AS BUILT	RAC
PURCHASE ORDER No. ERNIE BAUMGARTNER CONTROLLED POWER JOB No. 8438CC			
TITLE: EPM MONITORING & SYSTEM COMMUNICATION DIAGRAM			
SCALE: NONE	DATE: 08-23-16	DWN. BY: GPN	
DWG. No: 8438CC-5602-D	SHEET: 1 OF 1	CKD. BY: JMD	
JOB: CROOKED CREEK EASYGEN UPGRADE			

**NOTICE**  
THE DRAWINGS, INFORMATION AND SUBJECT MATTER HEREOF ARE THE CONFIDENTIAL, SOLE AND EXCLUSIVE PROPERTY OF CONTROLLED POWER, INC., AND ARE NOT TO BE COPIED, REPRODUCED OR USED IN ANY MANNER FOR ANY PURPOSE WHATSOEVER WITHOUT WRITTEN CONSENT OR DIRECTION.

ENGINEERED & MANUFACTURED BY  

**Controlled Power, Inc.**  
 BOTHELL, WASHINGTON USA  
 (425)-485-1778 www.controlledpowerinc.com

LINE No.  
1  
2  
3  
4  
5  
6  
7  
8  
9  
10  
11  
12  
13  
14  
15  
16  
17  
18  
19  
20  
21  
22  
23  
24  
25  
26  
27  
28  
29  
30  
31  
32  
33  
34  
35  
36  
37  
38  
39  
40  
41  
42  
43  
44  
45  
46  
47  
48  
49  
50



LINE No.  
51  
52  
53  
54  
55  
56  
57  
58  
59  
60  
61  
62  
63  
64  
65  
66  
67  
68  
69  
70  
71  
72  
73  
74  
75  
76  
77  
78  
79  
80  
81  
82  
83  
84  
85  
86  
87  
88  
89  
90  
91  
92  
93  
94  
95  
96  
97  
98  
99  
100

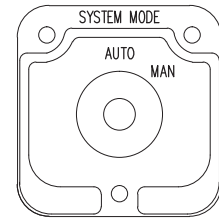
REV.	DATE	DESCRIPTION	BY
B	09-21-16	AS BUILT	RAC
PURCHASE ORDER No. ERNIE BAUMGARTNER CONTROLLED POWER JOB No. 8438CC			
TITLE: HEATER & LIGHTING CONTROL, SCHEMATIC DIAGRAM			
SCALE: NONE	DATE: 08-23-16	DWN. BY: GPN	
DWG. No: 8438CC-5701-D	SHEET: 1 OF 1	CKD. BY: JMD	
JOB: CROOKED CREEK EASYGEN UPGRADE			

**NOTICE**  
THE DRAWINGS, INFORMATION AND SUBJECT MATTER HEREOF ARE THE CONFIDENTIAL, SOLE AND EXCLUSIVE PROPERTY OF CONTROLLED POWER, INC., AND ARE NOT TO BE COPIED, REPRODUCED OR USED IN ANY MANNER FOR ANY PURPOSE WHATSOEVER WITHOUT WRITTEN CONSENT OR DIRECTION.



ENGINEERED & MANUFACTURED BY  
**Controlled Power, Inc.**  
BOTHELL, WASHINGTON USA  
(425)-485-1778 www.controlledpowerinc.com

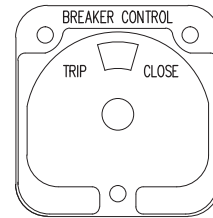
SYSTEM MODE SWITCH - SMS



(ELECTROSWITCH 24201C)  
KNURLED HANDLE  
QTY 1

DECK	CONTACTS	POS.
1	12-011	X
	12-013	X
	16-015	X
	16-017	X

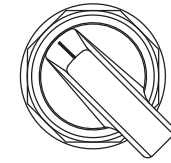
MAIN CONTACTOR CONTROL SWITCH - 42CS



(ELECTROSWITCH 2438D)  
PISTOL GRIP HANDLE  
SPRING RETURN TO CENTER  
QTY 1

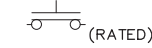
DECK	CONTACTS	TRIP	POS.
1	11-018	X	NORM. CLOSE
	16-017	X	CLOSE

GOVERNOR MODE SWITCH - GMS

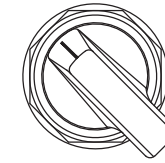


(MAINTAINED)  
LOCATED ON BACK PAN

POS.
IDLE
RATED



HEATER CONTROL SWITCH - HCS

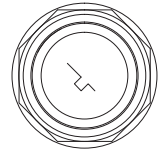


(MAINTAINED)  
LOCATED ON MASTER BACK PAN

POS.
OFF
ON

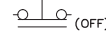


ENGINE CONTROL SWITCH - GLS



(MAINTAINED)

POS.
OFF
RUN

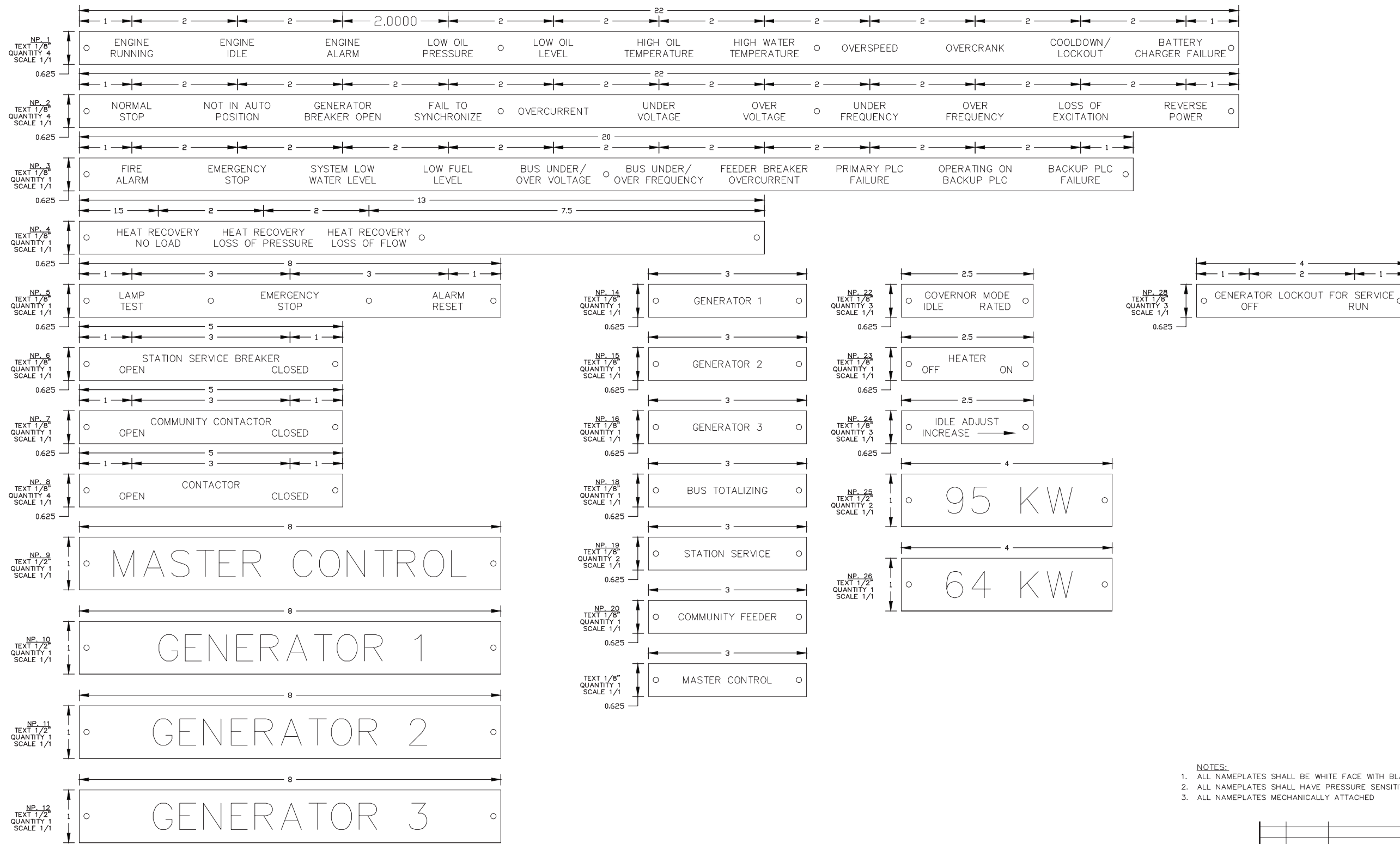


REV.	DATE	DESCRIPTION	BY
B	09-21-16	AS BUILT	RAC
PURCHASE ORDER No. ERNIE BAUMGARTNER CONTROLLED POWER JOB No. 8438CC			
TITLE: CONTROL SWITCH TARGET DIAGRAM			
SCALE: NONE	DATE: 08-23-16	DWN. BY: GPN	
DWG. No: 8438CC-6101-D	SHEET: 1 OF 1	CKD. BY: JMD	
JOB: CROOKED CREEK EASYGEN UPGRADE			

**NOTICE**  
THE DRAWINGS, INFORMATION AND SUBJECT MATTER HEREOF ARE THE CONFIDENTIAL, SOLE AND EXCLUSIVE PROPERTY OF CONTROLLED POWER, INC., AND ARE NOT TO BE COPIED, REPRODUCED OR USED IN ANY MANNER FOR ANY PURPOSE WHATSOEVER WITHOUT WRITTEN CONSENT OR DIRECTION.



ENGINEERED & MANUFACTURED BY  
**Controlled Power, Inc.**  
BOTHELL, WASHINGTON USA  
(425)-485-1778 www.controlledpowerinc.com



- NOTES:**
1. ALL NAMEPLATES SHALL BE WHITE FACE WITH BLACK LETTERS EXCEPT AS NOTED.
  2. ALL NAMEPLATES SHALL HAVE PRESSURE SENSITIVE ADHESIVE ON BACK
  3. ALL NAMEPLATES MECHANICALLY ATTACHED

REV.	DATE	DESCRIPTION	BY
B	09-21-16	AS BUILT	RAC
PURCHASE ORDER No. ERNIE BAUMGARTNER CONTROLLED POWER JOB No. 8438CC			
TITLE: NAMEPLATE ENGRAVING SCHEDULE, FABRICATION DIAGRAM			
SCALE: NONE	DATE: 08-23-16	DWN. BY: GPN	
DWG. No: 8438CC-6201-D	SHEET: 1 OF 1	CKD. BY: JMD	
JOB: CROOKED CREEK EASYGEN UPGRADE			

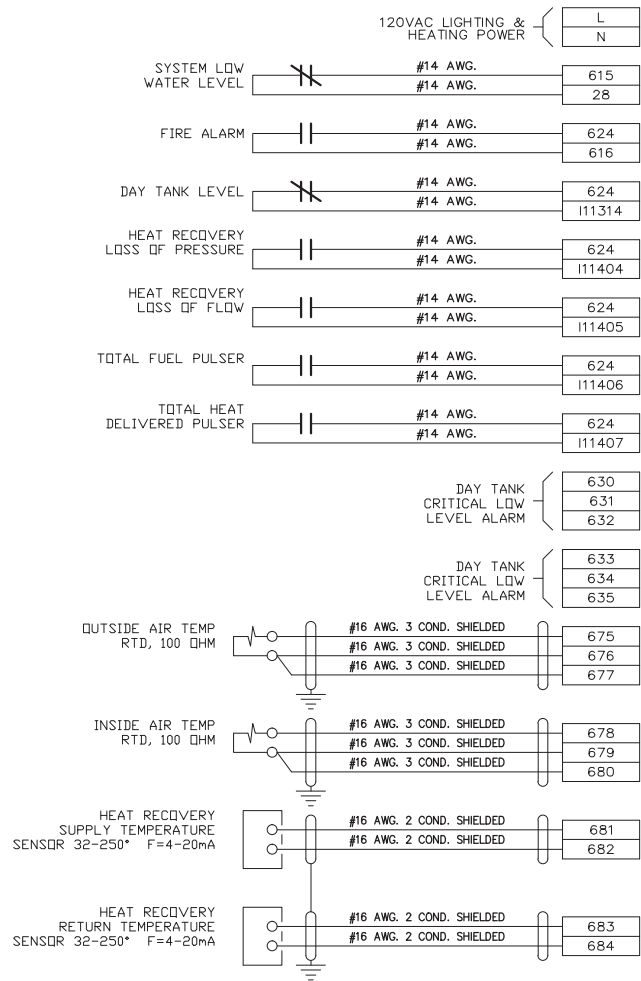
**NOTICE**  
 THE DRAWINGS, INFORMATION AND SUBJECT MATTER HEREOF ARE THE CONFIDENTIAL, SOLE AND EXCLUSIVE PROPERTY OF CONTROLLED POWER, INC., AND ARE NOT TO BE COPIED, REPRODUCED OR USED IN ANY MANNER FOR ANY PURPOSE WHATSOEVER WITHOUT WRITTEN CONSENT OR DIRECTION.



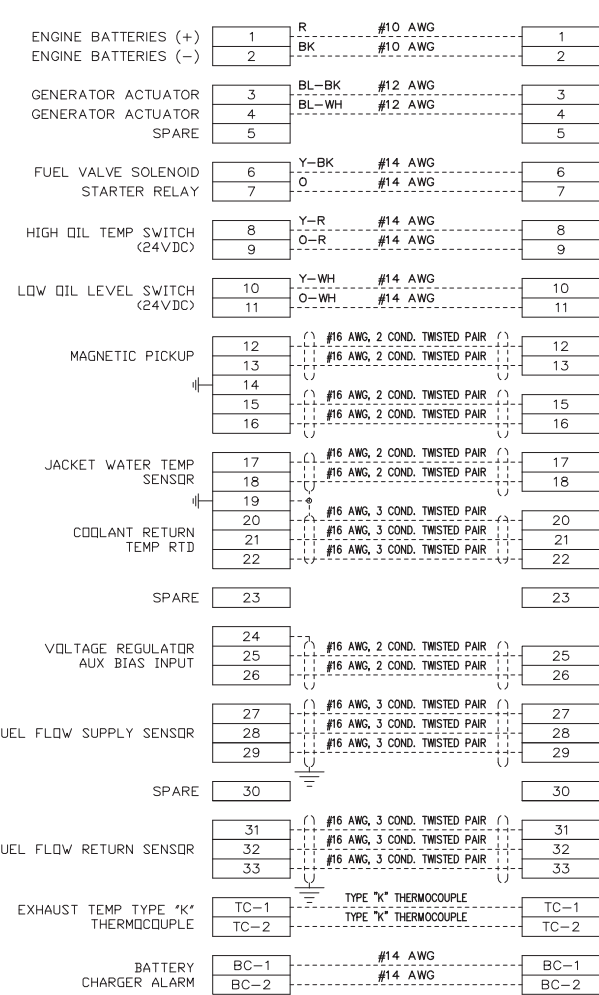
ENGINEERED & MANUFACTURED BY  
**Controlled Power, Inc.**  
 BOTHELL, WASHINGTON USA  
 (425)-485-1778 www.controlleddpowerinc.com



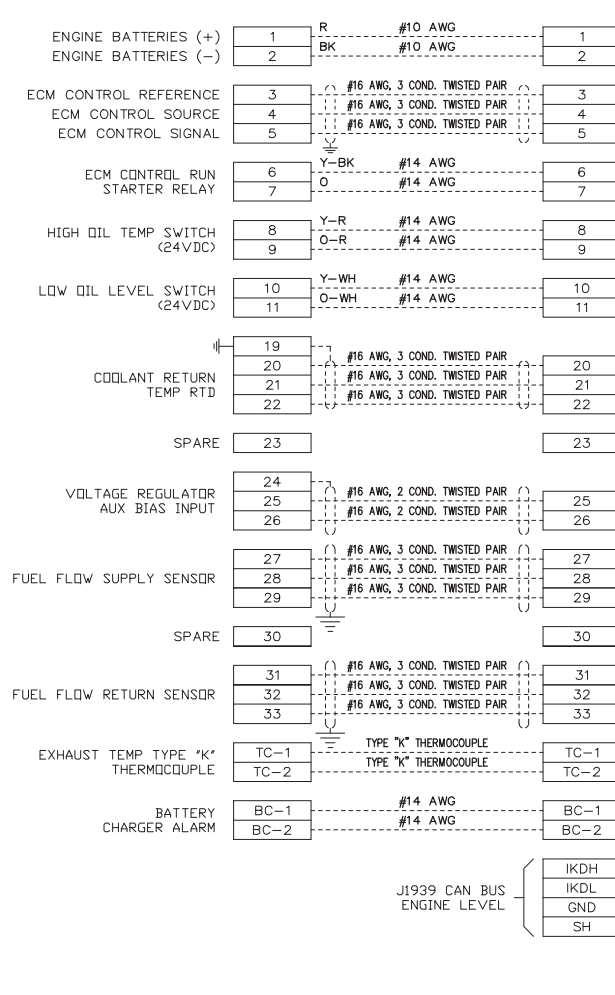
MASTER CONTROL



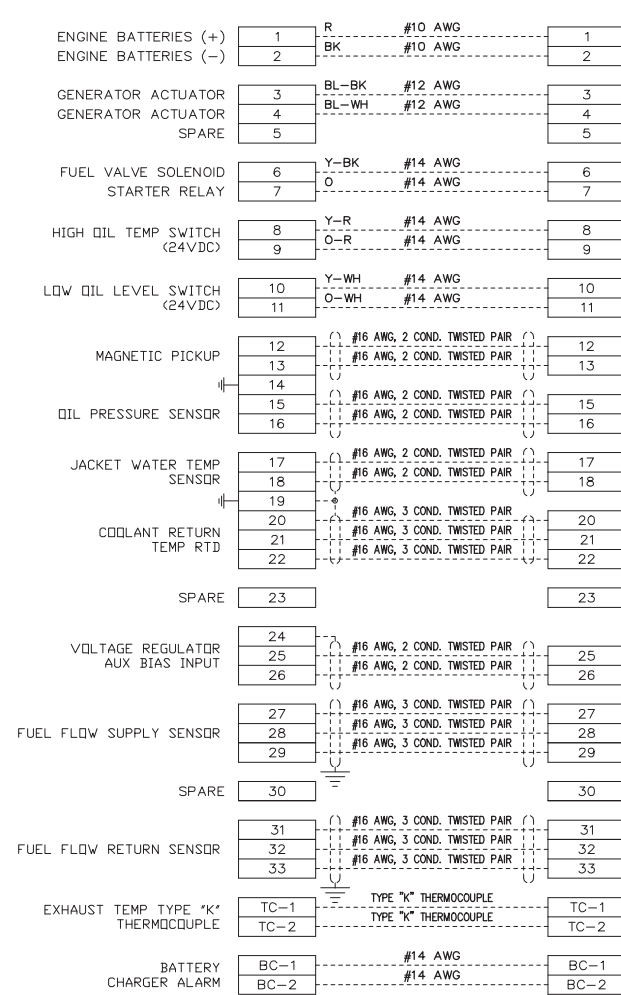
GENERATOR 1



GENERATOR 2



GENERATOR 3



REV.	DATE	DESCRIPTION	BY
B	09-21-16	AS BUILT	RAC
PURCHASE ORDER No. ERNIE BAUMGARTNER CONTROLLED POWER JOB No. 8438CC			
TITLE: INTERCONNECTION DIAGRAM			
SCALE: NONE	DATE: 08-23-16	DWN. BY: GPN	
DWG. No: 8438CC-7101-D	SHEET: 1 OF 1	CKD. BY: JMD	
JOB: CROOKED CREEK EASYGEN UPGRADE			

**NOTICE**  
 THE DRAWINGS, INFORMATION AND SUBJECT MATTER HEREOF ARE THE CONFIDENTIAL, SOLE AND EXCLUSIVE PROPERTY OF CONTROLLED POWER, INC., AND ARE NOT TO BE COPIED, REPRODUCED OR USED IN ANY MANNER FOR ANY PURPOSE WHATSOEVER WITHOUT WRITTEN CONSENT OR DIRECTION.

ENGINEERED & MANUFACTURED BY  
**Controlled Power, Inc.**  
 BOTHELL, WASHINGTON USA  
 (425)-485-1778 www.controlledpowerinc.com